

**SPECIFICATIONS:**

**END FRAMES:** Shall be fabricated of 2 3/8" O.D high tensile galvanized pipe with .130" minimum wall. Top and seat angles shall be fabricated of 10 gauge galvanized steel die formed and precision punched. End frames shall be of electrically welded, walk-through design.

**TOP & SEAT BOARDS:** Shall be of 2x10 nominal #1 S4S stock with edges eased and predrilled holes. Available with #1 ACQ or equal (arsenic free) pressure treated southern yellow pine.

**DIAGONAL BRACE:** Shall be fabricated of 1 5/16" O.D. high tensile galvanized pipe.

**FASTENERS:** All fasteners shall be stainless steel.

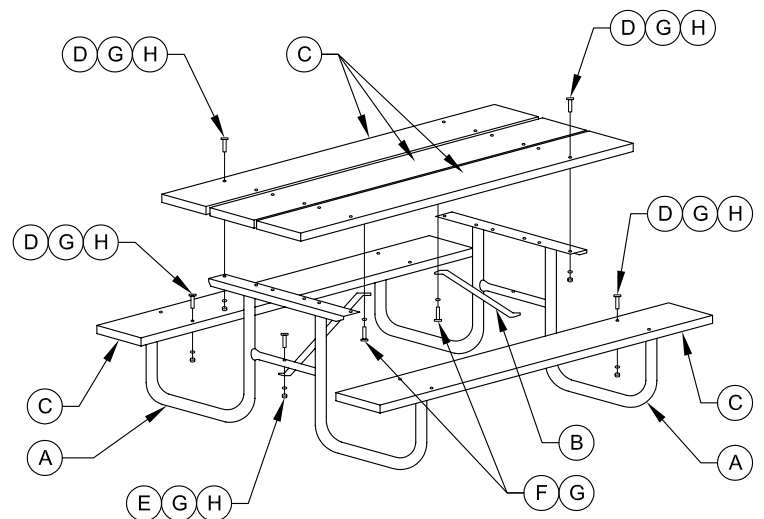
**FINISH:** All welds shall be cold galvanized and finish painted with durable outdoor aluminum enamel or powder coat. Table frame is available in black, green, brown, bronze, almond, red or blue. Other colors are available upon request and availability. Add **-PC** to the model number for powder coated frame.

**ASSEMBLY INSTRUCTIONS:**

1. Loosely bolt the top and seat boards to the end frames with fasteners indicated.
2. Loosely bolt the diagonal braces to each end frame cross member and to the underside of the center top board with the hardware indicated.
3. Plumb and square the assembled table and tighten all bolts.

**MODEL No.:**

- #1050** Table Frame Only (No Boards)
  - #1050-6T** 6' Treated Pine Picnic Table Complete
  - #1050-8T** 8' Treated Pine Picnic Table Complete
  - #1050-HT** Wheelchair Accessible Table Complete
- NOTE: Wheelchair Accessible table utilizes 8' long table top with 6' long seats with the 1' additional overhang at each end to accommodate a wheelchair at both ends.
- #1050-HT-1E** Wheelchair Accessible Table Complete
- NOTE: This table utilizes 8' long table top with 6' long seats with 2' additional overhang at one end to accommodate two wheelchairs at one end.



ITEM	DESCRIPTION	#1050 FRAME ONLY	#1050-6T 6' TABLE COMPLETE	#1050-8T 8' TABLE COMPLETE	#1050-HT 6' TABLE COMPLETE
A	END SUPPORT FRAME	2	2	2	2
B	DIAGONAL BRACE	2	2	2	2
C	2 x 10 x 6' TABLE SLAT		5		2
C	2 x 10 x 8' TABLE SLAT			5	3
D	5/16" x 2" CARRIAGE BOLT	20	20	20	20
E	5/16" x 2" HEX BOLT	2	2	2	2
F	5/16" x 1 1/2" HEX LAG	2	2	2	2
G	5/16" LOCKWASHER	24	24	24	24
H	5/16" HEX NUT	22	22	22	22



11800 East 9 Mile Road  
 Warren, MI 48089  
 Office: (586) 486-1088  
 Fax: (586) 754-9130  
 Toll Free: (800) 657-6118  
 Email: info@coverworx.net  
 www.CoverWorx.net

**COVERWORX EXTRAS**

1050 WorxTable  
 Picnic Table Design Specifications