

SPECIFICATIONS:

FIREBOX: 24" wide x 36" L x 10" high. Shall be fabricated of 7 ga. (3/16") hot rolled steel plate. The bottom shall have an ash retainer lip formed across the entire front edge of the firebox and all corners in a vertical plane shall be eased to a 1 1/2" radius. Firebox shall be electrically welded construction.

COOKING GRATE: Two each 432 square inches for a total of 864 square inches of cooking surface. Shall be fabricated of 1/2" diameter solid steel grill bars electrically welded 1 1/8" on center. The grill bars shall be supported and electrically welded to two 5/8" diameter solid steel support bars equipped with non-conductive spring cool grips. The grate shall be non-removable from the firebox and shall adjust to four different height settings within the firebox.

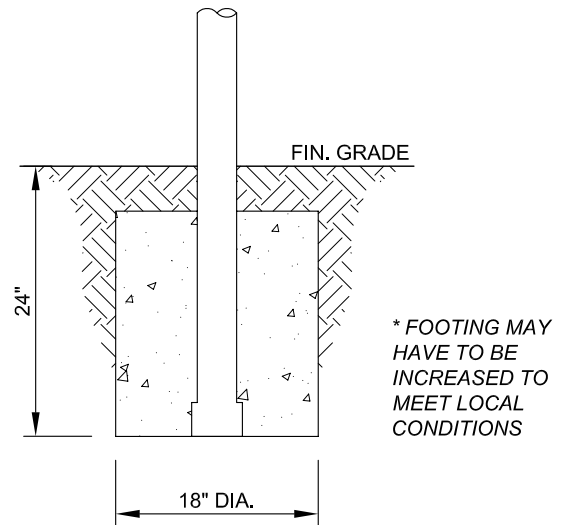
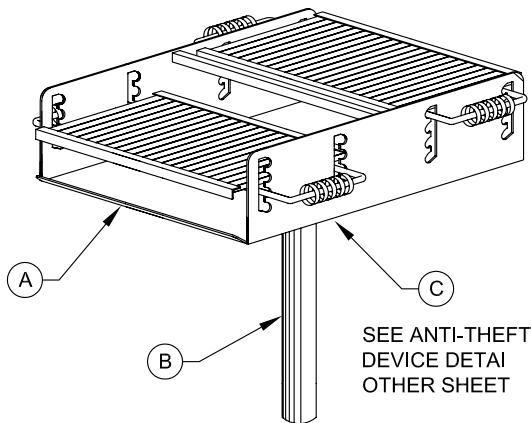
PEDESTAL: Support pipe shall be of 3 1/2" O.D. high tensile galvanized pipe, mechanically fastened to the firebox. The bottom end of the pedestals shall be expanded for retention into a concrete footing.

FINISH: Entire unit shall be finished with nontoxic, heat resistant black enamel.

ANTI-THEFT DEVICE: Shall allow unit to rotate 360 degrees for draft control while also preventing removal by normal means.

ASSEMBLY INSTRUCTIONS:

1. With the grill lying on its back side, attach the support stands to the underside of the grill with the set screws provided.
2. Dig the hole for the footing as shown.
3. Place the pedestal in the footing hole and block up plumb and level to an overall height of 35 1/2" above finished grade to the top of the pedestal.
4. Pour the concrete into the footing hole and allow to fully cure.
5. Backfill the footing with soil if required.



FOOTING DETAIL

ITEM	DESCRIPTION	REQ'D.
A	GRILL BODY	1
B	PEDESTAL	1
C	1/4" x 2 1/2" EXPANSION PIN	1



11800 East 9 Mile Road
 Warren, MI 48089
 Office: (586) 486-1088
 Fax: (586) 754-9130
 Toll Free: (800) 657-6118
 Email: info@coverworx.net
 www.CoverWorx.net

COVERWORX EXTRAS

1158 Double Park Grill
 Design Specifications