

**SPECIFICATIONS:**

**FIREBOX:** 15" D x 20" L x 10" H. Shall be fabricated of 7 ga. (3/16") hot rolled steel plate with holes for drainage at the rear corners of the firebox. All corners of surfaces in a vertical plane shall be eased to a 1 1/2" radius. The bottom shall have an ash retainer lip formed across the entire front edge of the firebox. Firebox shall be electrically welded construction.

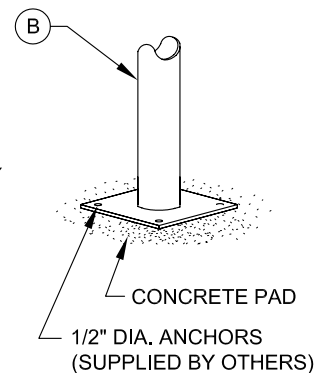
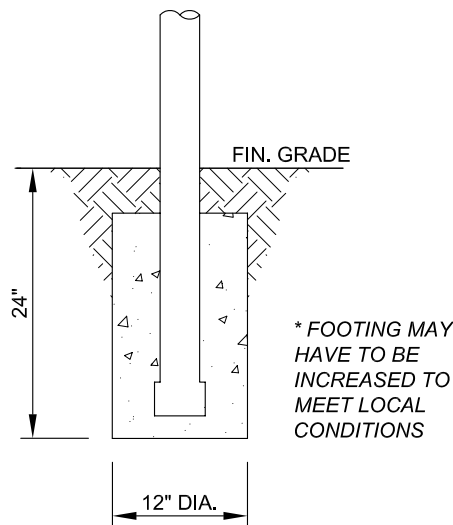
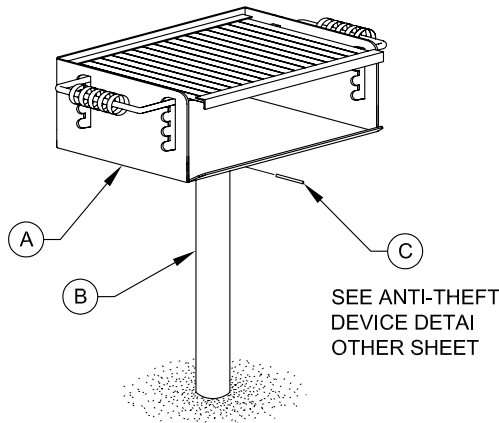
**COOKING GRATE:** 15" x 20" (300 sq. in.). Shall be fabricated of 1/2" diameter solid steel grill bars electrically welded 1 1/8" on center. The grill bars shall be supported and electrically welded to two 5/8" diameter solid steel support bars equipped with non-conductive spring cool grips. The grate shall be nonremovable from the firebox and shall adjust to four different height settings within the firebox.

**PEDESTAL:** Support pipe shall be of 3 1/2" O.D. iron pipe, 40" long with the bottom end expanded for retention into a concrete footing. The pedestal shall be equipped with an anti-theft locking device preventing the removal of the grill unit but allowing for a full 360 degree rotation for draft control.

**FINISH:** Entire unit shall be finished with nontoxic, heat resistant black enamel.

**ASSEMBLY INSTRUCTIONS:**

1. Dig the hole for the footing as shown.
2. Place the pedestal in the footing hole and block up plumb and level to an overall height of 24" above finished grade to the top of the pedestal.
3. Pour the concrete and allow to fully cure.
4. Place the tab on the underside of the grill unit through the hole in the top plate of the pedestal, then raise the grill so that the hole in the tab is in line with the hole in the pedestal pipe.
5. Now drive the expansion pin in the hole located in the tab until the pin is fully inside of the pipe.
6. Check to be sure that the grill rotates freely.



**FOOTING DETAIL**

**SURFACE MOUNT**

ITEM	DESCRIPTION	REQ'D.
A	GRILL BODY	1
B	PEDESTAL	1
C	1/4" x 2 1/2" EXPANSION PIN	1

**COVERWORX EXTRAS**

1167 Park Grill  
Design Specifications



11800 East 9 Mile Road  
Warren, MI 48089  
Office: (586) 486-1088  
Fax: (586) 754-9130  
Toll Free: (800) 657-6118  
Email: info@coverworx.net  
www.CoverWorx.net