

**SPECIFICATIONS:**

**FIRE RING:** Shall be fabricated of 3/16" steel plate to 31" wide x 34" long x 6" high dimensions. Fire ring shall be electrically welded in such a way as to readily accommodate two anti-theft anchors and also allow for flip back action of the fire ring. Ring shall be cross braced with electrically welded 3/16" x 1 1/4" x 1 1/4" steel angle for added strength. All exposed corners shall be eased to 1 1/2" radius.

**COOKING GRATE:** 15" x 19" (285 sq. in.). Shall be fabricated with 5/8" diameter solid steel gate handles supporting a cooking grate fabricated of 1/2" diameter solid steel bars. The handles shall be equipped with non-conductive cool grips. The grate shall be of electrically welded construction and shall be nonremovable from the firebox. The grate shall adjust within the firebox to four different cooking levels.

**ROD ANCHORS (Standard):** Shall be fabricated of 1/2" diameter solid steel rods bent into a 180 degree shape for installation into concrete footings.

**STAKE ANCHORS:** Shall be fabricated of 1 1/2" x 1 1/2" x 3/16" steel angles equipped with electrically welded steel spade plates for drive installation.

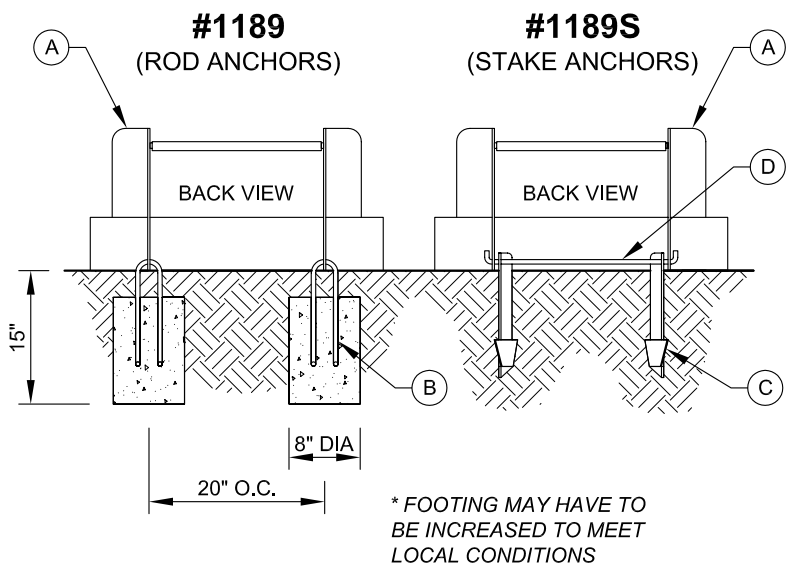
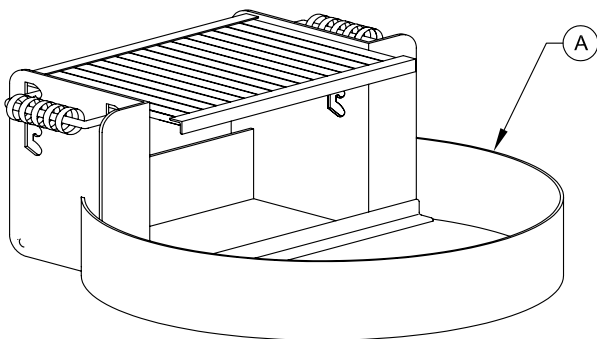
**FINISH:** The unit shall be painted with nontoxic, heat resistant black enamel.

**ROD ANCHOR INSTALLATION INSTRUCTIONS:**

1. Dig two footing holes to accept the rod anchors (see the #1189 campfire ring detail).
2. Place the rod anchors through the holes located at the back of the campfire ring and position the rod anchors so they hang over the footing holes.
3. Pour the concrete into the footing holes and allow the concrete to fully cure.
4. Backfill the footing with soil if required.

**STAKE ANCHOR INSTALLATION INSTRUCTIONS:**

1. Find the location of the campfire ring. Mark where the two stakes must be placed.
2. Drive both stakes into the ground approximately 18" to 19" apart (outside to outside). Let about 2" of the stakes protrude out of the ground (match the holes in the ring).
3. Set the campfire ring in place and slide the stake rod through the holes in the back of the campfire ring and the holes in the stakes.
4. With a hammer, bend down the opposite end of the stake rod to prevent removal.



ITEM	DESCRIPTION	ROD ANCHORS #1189	STAKE ANCHORS #1189S
A	CAMPFIRE RING	1	1
B	ROD ANCHOR	2	-
C	STAKE ANCHOR	-	2
D	STAKE ROD (24")	-	1



11800 East 9 Mile Road  
 Warren, MI 48089  
 Office: (586) 486-1088  
 Fax: (586) 754-9130  
 Toll Free: (800) 657-6118  
 Email: info@coverworx.net  
 www.CoverWorx.net

**COVERWORX EXTRAS**

**1189 Adjustable Campfire Ring  
 Design Specifications**