

SPECIFICATIONS:

SUPPORTS: Shall be fabricated of electrically welded 2 3/8" O.D. high tensile galvanized pipe with precision punched holes and exposed ends capped.

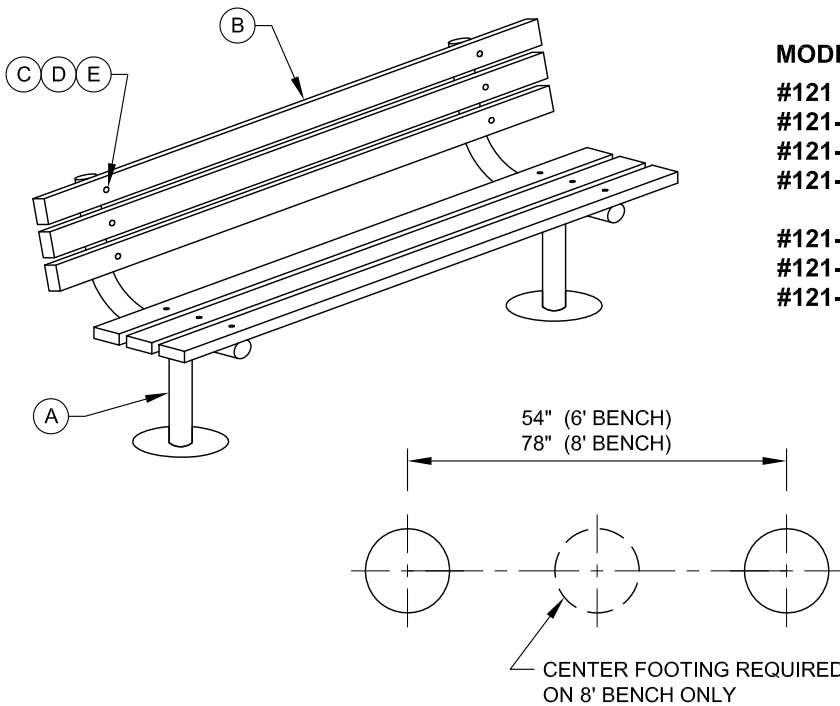
SLATS: Shall be of 2" x 4" (nom.) S4S stock with edges eased and predrilled holes. Available in #1 ACQ pressure treated southern yellow pine, clear Douglas fir or South American Pau Lope®.

FASTENERS: Shall be stainless steel.

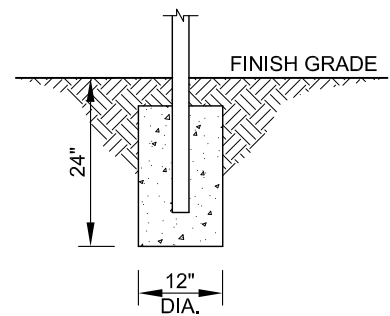
FINISH: All welds shall be cold galvanized and finish painted with durable, outdoor aluminum enamel. Add **-PC** to the model number for supports to be polyester powder coated. Black powder coating is standard but other colors are available upon request (additional charge may apply).

ASSEMBLY INSTRUCTIONS:

1. Dig the holes for the footings as shown in the footing plan and detail. Footings may have to be increased to meet local soil conditions.
2. Attach the bench slats to the supports with the fasteners provided.
3. Square the assembled bench and tighten all fasteners.
4. Place the assembled bench in the footing holes and block up plumb and level to an 18" seating height.
5. Pour concrete and allow to fully cure. Backfill the footings with soil if required.



FOOTING PLAN



FOOTING DETAIL

MODEL No.:

- #121 Support Leg Only (no fasteners)
- #121-6T 6' Bench w/ Treated Pine Slats - 2 supports
- #121-6D 6' Bench w/ Douglas Fir Slats - 2 supports
- #121-6P 6' Bench w/ Pau Lope® Slats - 2 supports
- #121-8T 8' Bench w/ Treated Pine Slats - 3 supports
- #121-8D 8' Bench w/ Douglas Fir Slats - 3 supports
- #121-8P 8' Bench w/ Pau Lope® Slats - 3 supports

ITEM	DESCRIPTION	#121 SUPPORT ONLY	#121-6 6' BENCH	#121-8 8' BENCH
A	SUPPORT LEG	1	2	3
B	2" x 4" BENCH SLAT		6	6
C	5/16" x 4" CARRIAGE BOLT		12	18
D	5/16" LOCKWASHER		12	18
E	5/16" HEX NUT		12	18

COVERWORX EXTRAS

**121 PERMANENT PARK BENCH
DESIGN SPECIFICATIONS**



11800 East 9 Mile Road
Warren, MI 48089
Office: (586) 486-1088
Fax: (586) 754-9130
Toll Free: (800) 657-6118
Email: info@coverworx.net
www.CoverWorx.net