

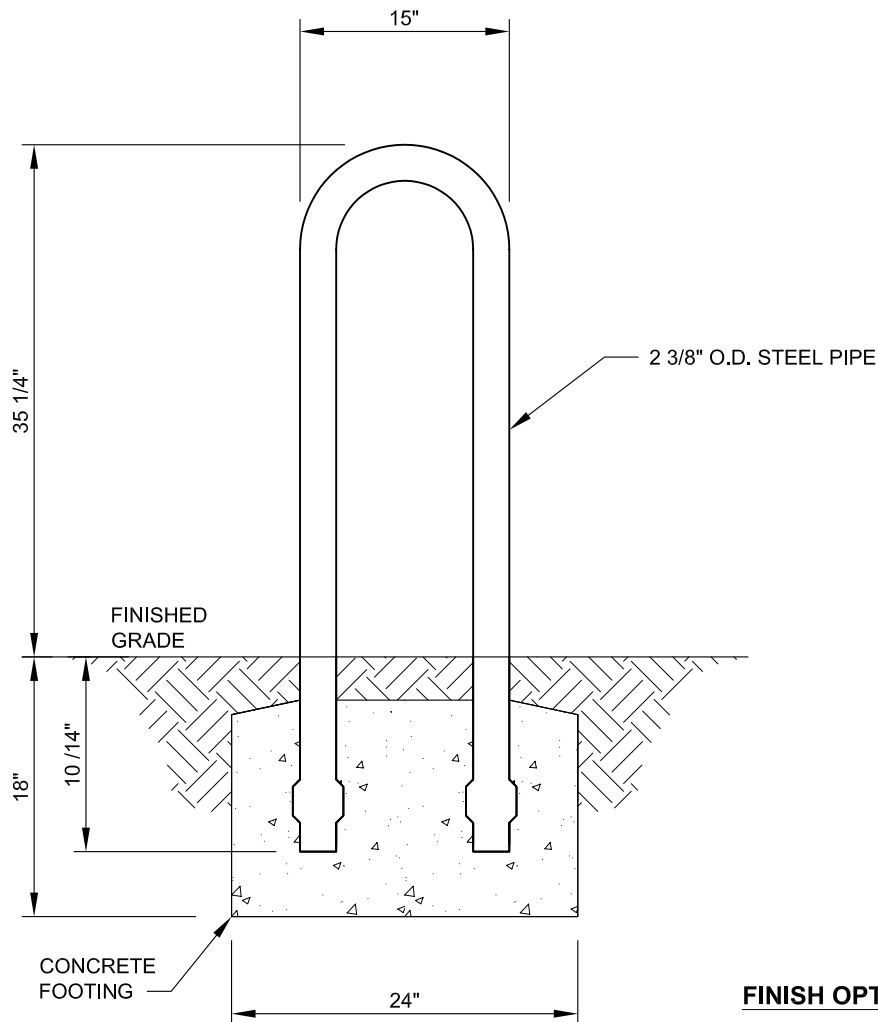
SPECIFICATIONS:

NATURAL GALVANIZED (Standard): Shall be of 2 3/8" O.D. (.130 wall) RS40 high tensile galvanized steel pipe with welds cold galvanized and finish painted with a durable outdoor aluminum enamel.

POWDER COAT (add **-PC** to model number): Shall be of 2 3/8" O.D. (.130 wall) RS40 high tensile galvanized steel pipe with baked-on polyester powder. Choice of Black, Bronze, Blue, Red, or Green. Other colors are available upon request (additional charge may apply).

HOT DIPPED GALVANIZED (add **-G** to modal number): Shall be of 2 3/8" O.D. (.154 wall) schedule 40 steel pipe hot dipped galvanized after fabrication as per ASTM specifications. Drain holes shall be drilled to allow the galvanizing to flow through the pipe and coat all surfaces inside and out for full rust resistance. Hot dipped galvanizing is reserved for large quantities only.

STAINLESS STEEL (add **-SS** to modal number): Shall be of 2 3/8" O.D. schedule 40 stainless steel pipe.



FINISH OPTIONS:

- NATURAL GALVANIZED
- POWDER COATED _____
- HOT DIPPED GALVANIZED
- STAINLESS STEEL

* FOOTINGS MAY HAVE TO BE INCREASED TO MEET LOCAL SOIL CONDITIONS



11800 East 9 Mile Road
 Warren, MI 48089
 Office: (586) 486-1088
 Fax: (586) 754-9130
 Toll Free: (800) 657-6118
 Email: info@coverworx.net
 www.CoverWorx.net

COVERWORX EXTRAS
SINGLE LOOP BIKE RACK - IN GROUND MOUNTED
MODEL #1643-2-IG
DESIGN SPECIFICATIONS