

**SPECIFICATIONS:**

**END FRAMES:** Shall be fabricated or 1 5/8" O.D high tensile galvanized pipe with precision punched holes and exposed ends capped. Anchor holes are provided for mounting to the surface (anchors supplied by others).

**RACK SECTION:** Horizontal rail shall be or 1 5/8" O.D. high tensile galvanized pipe with precision punched holes and exposed ends capped. Vertical rack rails shall be of hot dipped galvanized 1/2" diameter solid steel electrically welded to the horizontal rails.

**WHEEL STOPS:** Shall be fabricated of 1 5/8" O.D. high tensile galvanized pipe with precision punched holes and exposed ends capped.

**FASTENERS:** All fasteners shall be bright zinc plated.

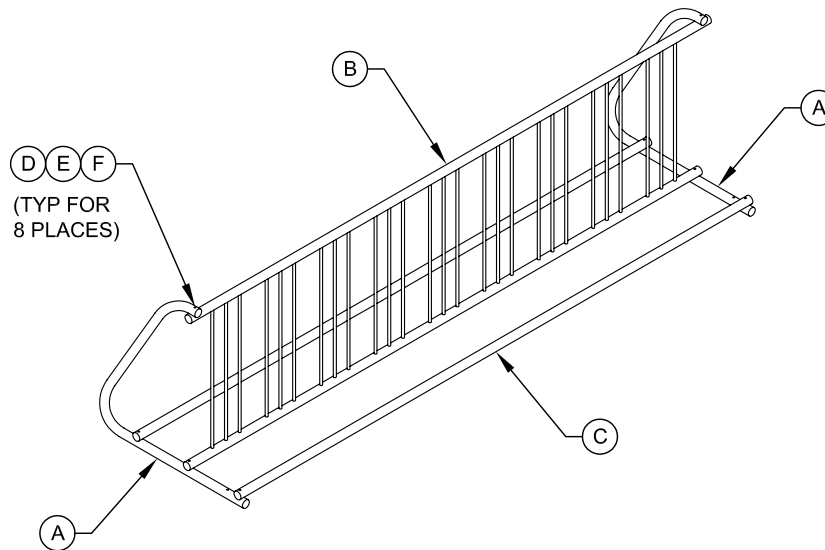
**FINISH:** All welds shall be cold galvanized and finish painted with durable outdoor aluminum enamel (standard finish). Bike rack is available with a baked-on polyester powder finish. Add **-PC** to the model number for powder coated finish (additional charge will apply).

**MODEL No.:**

- #1655-5 5' Double Face Bike Rack Capacity: 8 Bikes
- #1655-10 10' Double Face Bike Rack Capacity: 18 Bikes

**ASSEMBLY INSTRUCTIONS:**

1. Loosely bolt the rack section to the end frames with the fasteners provided.
2. Loosely bolt the wheel stops to the end frames with the fasteners provided.
3. Square the assembled bike rack and tighten all of the fasteners.



ITEM	DESCRIPTION	#1655-5 5' LONG BIKE RACK	#1655-10 10' LONG BIKE RACK
A	END FRAME	2	2
B	RACK SECTION	1	1
C	WHEEL STOP	2	2
D	5/16" x 3 1/4" HEX BOLT	8	8
E	5/16" LOCK WASHER	8	8
F	5/16" HEX NUT	8	8

**NOTES:**

1. #1655-10 10' Double Face Bike Rack shown.
2. Bike rack may be free-standing or mounted to the surface.



11800 East 9 Mile Road  
 Warren, MI 48089  
 Office: (586) 486-1088  
 Fax: (586) 754-9130  
 Toll Free: (800) 657-6118  
 Email: info@coverworx.net  
 www.CoverWorx.net

**COVERWORX EXTRAS**

**1655 OUTWARD CURVE  
 DOUBLE FACE BIKE RACK  
 DESIGN SPECIFICATIONS**