

**Model: Steelworx Two Post Gable Shelter w/ Table, 8' x 8'**  
**Model # GA-0808-SW-2P-TG-SH-T**

**Manufacturing Mission:** To provide all prefabricated components and installation instructions for a 8' wide by 8' long (measured from eave to eave) free standing bolt together, tubular steel constructed shelter kit.

**Design Criteria:** Structure is typically designed for a 25 lb live load and a 90 mph wind load capacity, but can be designed based on specific site requirements upon request. All structural members are ASTM A-500 U.S. grade B steel. Welded connection plates shall be ASTM A-36 hot rolled steel. All fabrication performed to latest AISC standards by AWS Certified welders. All framing connections are done using A325 grade bolts within concealed access openings from above and will later be concealed by the roofing. All roof framing shall be flush against the roof decking to eliminate the possibility of bird nesting.

**Tubular Steel Columns and Beams:** Standard column dimension shall be 5" x 5" x 3/16" tubular steel welded to 5/8" base plates for surface mounting with main roof beams of 5" x 5" x 3/16".

**Roof Deck:** 2" x 6" (nominal) #1 Grade, end matched, single tongue and groove with V-joint bottom face, Southern Yellow Pine. Fascia boards are 2" x 6" (nominal) pressure treated Southern Yellow Pine.

**Roofing:** 25 yr. GAF fiberglass shingles with 30# roofing felt and drip edge. Color to be chosen from shingle manufacturer's standard color selection. Standard roof slope is a 4/12 pitch with a eave height of 7'-6". Also available with 24 Ga. steel panels or with 6/12 or 8/12 pitch roof.

**Worx Table:** Tube steel frame attached to columns with galvanized bolts with 8' long 2" x 10" (nominal) recycled plastic table and seat slats.

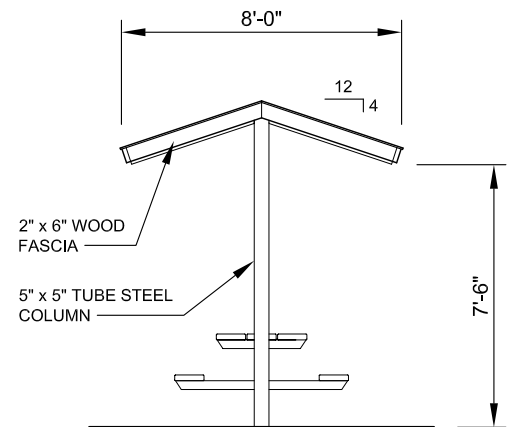
**Frame Finish:** All steel framework will receive a corrosion protective TGIC Polyester powder coat, electro-statically applied and cured at 400°F. A large selection of standard colors are available.

**Foundation:** All columns need to be anchored to concrete footings (footing design provided separately). Columns can be surface mounted with anchor bolts at or below finish slab elevation or they can be embedded directly into the footing. Anchor bolts and bracing templates included. Optional base plate covers are available at an additional cost.

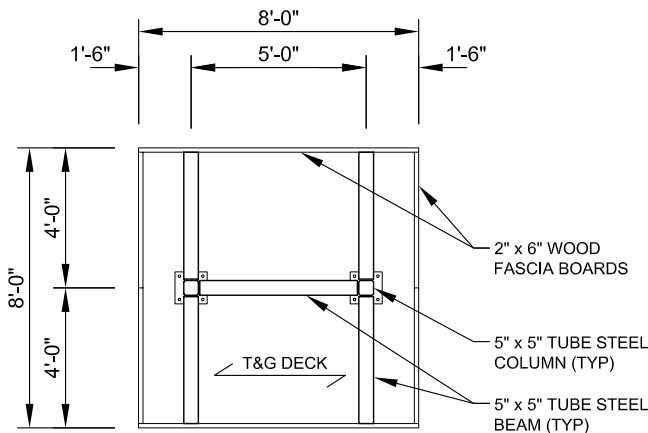
**Hardware:** All structural hardware and roofing fasteners shall be provided.

**Warranty:** 10 years against manufacturer defects.

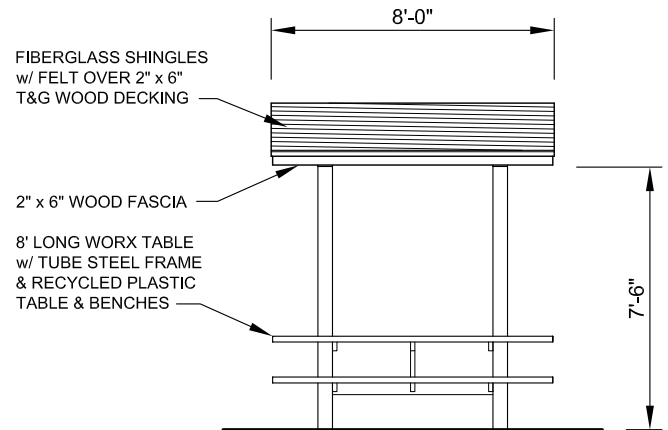
**Not Included:** Concrete work of any kind, unloading of product and installation.



**SIDE ELEVATION**  
SCALE: NTS



**SHELTER FRAMING PLAN**  
SCALE: NTS



**FRONT ELEVATION**  
SCALE: NTS



11800 East 9 Mile Road  
 Warren, MI 48089  
 Office: (586) 486-1088  
 Fax: (586) 754-9130  
 Toll Free: (800) 657-6118  
 Email: info@coverworx.net  
 www.CoverWorx.net

**Steelworx Two Post Gable Shelter w/ Table - 8' x 8'**

**Model: GA-0808-SW-2P-TG-SH-T**

**DESIGN SPECIFICATIONS**