

**SPECIFICATIONS:**

**STEEL RECEPTACLE:** Shall be fabricated of electrically welded 1/4" x 2" steel bars. Decorative rings shall be 1/2" diameter x 4" O.D. steel. Three equally spaced anchor support legs shall be equipped with holes to accept 1/2" diameter anchor bolts (anchors supplied by others).

**STEEL LID:** Shall be a 14 gauge spun steel cover with a 12" diameter trash opening. Lid shall be secured to the receptacle with a factory attached vinyl coated steel cable.

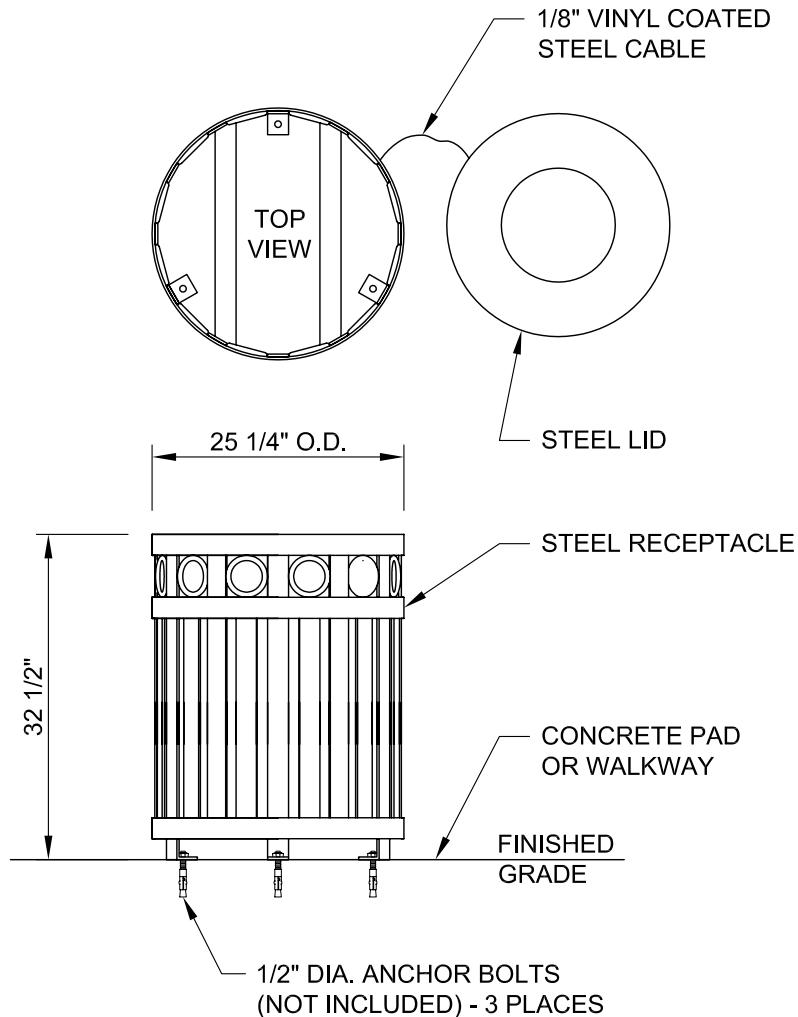
**LINER:** Receptacle shall be furnished with a 32 gallon high-density black plastic liner.

**FINISH:** Entire receptacle shall be furnished with baked-on polyester powder. All steel components shall be blasted to white metal and pre-coated with baked-on zinc rich primer. Choice of Black, Bronze, Green, Red, Deep Red, White and Almond. Other colors are available upon request (additional charge may apply).

**MODEL No.:**

**#345** 32 Gallon Steel Trash Receptacle

**NOTE:** The trash receptacle shall be factory assemble ready to install. Receptacle must be securely anchored to a solid (concrete) surface. We recommend using 1/2" diameter x 3 3/4" long expansion anchors (not supplied).



11800 East 9 Mile Road  
Warren, MI 48089  
Office: (586) 486-1088  
Fax: (586) 754-9130  
Toll Free: (800) 657-6118  
Email: info@coverworx.net  
www.CoverWorx.net

**COVERWORX EXTRAS**

**345 DECORATIVE RING TRASH RECEPTACLE  
DESIGN SPECIFICATIONS**