

SPECIFICATIONS:

SUPPORTS: Shall be of durable (class 30) cast iron with anchor holes for surface mounting (3/8" dia. anchors supplied by others).

BENCH SLATS: Shall be of (12 each) 2x3 nominal S4S stock with edges eased and predrilled holes. Available in clear Douglas fir or South American Ipe.

CENTER STRAP: Shall be of 1/4" x 2" steel bar.

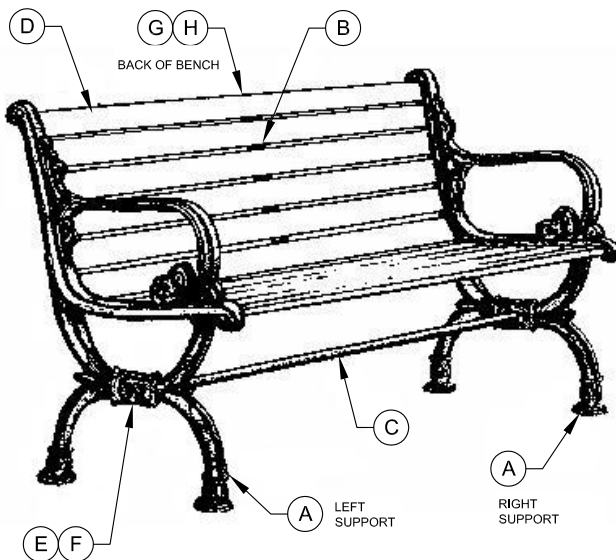
CROSS BRACE: Shall be of 1 5/16" O.D. galvanized pipe.

FASTENERS: All fasteners shall be stainless steel.

FINISH: Supports, center strap and cross brace shall be finished with baked-on polyester powder. Black is standard but other colors are available upon request (additional charge may apply).

ASSEMBLY INSTRUCTIONS:

1. On a flat surface, loosely attach the bench slats to the supports with the fasteners provided.
HELPFUL HINT: Attach one center slat and the two leading edge slats first.
2. Loosely attach the cross brace and center strap with fasteners provided.
3. Square the assembled bench and tighten all fasteners.
4. We strongly recommend this bench be permanently anchored to prevent possible injury or theft. We recommend using four 3/8" x 3 3/4" minimum concrete anchors (not included - supplied by others).
5. Periodically check all fasteners to be sure that they are tight and secure. Replace any broken or worn parts immediately.



MODEL No.:

- #750-4D 4' Bench w/ Douglas Fir Slats - 2 supports
- #750-5D 5' Bench w/ Douglas Fir Slats - 2 supports
- #750-6D 6' Bench w/ Douglas Fir Slats - 2 supports
- #750-8D 8' Bench w/ Douglas Fir Slats - 2 supports

MODEL No.:

- #750-4P 4' Bench w/ Ipe Slats - 2 supports
- #750-5P 5' Bench w/ Ipe Slats - 2 supports
- #750-6P 6' Bench w/ Ipe Slats - 2 supports
- #750-8P 8' Bench w/ Ipe Slats - 2 supports

ITEM	DESCRIPTION	4' BENCH	5' BENCH	6' BENCH	8' BENCH
A	CAST IRON SUPPORT	2	2	2	2
B	CENTER STRAP	1	1	1	2
C	CROSS BRACE	1	1	1	1
D	2x3 BENCH SLAT	12	12	12	12
E	1/2" x 2 1/2" BTN HEAD BOLT	2	2	2	2
F	1/2" LOCKWASHER	2	2	2	2
G	5/16" x 1 1/2" BTN HD LAG	36	36	36	48
H	5/16" FLAT WASHER	36	36	36	48



11800 East 9 Mile Road
 Warren, MI 48089
 Office: (586) 486-1088
 Fax: (586) 754-9130
 Toll Free: (800) 657-6118
 Email: info@coverworx.net
 www.CoverWorx.net

COVERWORX EXTRAS

**750 VICTORIAN BENCH
 DESIGN SPECIFICATIONS**