

**SPECIFICATIONS:**

**END FRAMES:** Shall be fabricated of 1 5/8" O.D. RS40 high tensile galvanized pipe with a .120" minimum wall. Top and seat channels shall be fabricated of 10 gauge galvanized steel, die formed and precision punched. Frames shall be of electrically welded, walk-through design.

**TOP & SEAT BOARDS:** Shall be of 2x10 nominal high-density polyethylene (**HDPE**) with at least 90% recycled post consumer plastic. Available in cedar, weathered or gray colors.

**TABLE TOP & SEAT SUPPORTS:** Shall be fabricated of 1 5/8" O.D. high tensile galvanized pipe with electrically welded, die formed and precision punched 10 gauge galvanized steel attachment angles.

**DIAGONAL BRACE:** Shall be fabricated of 1 5/8" O.D. high tensile galvanized pipe.

**FASTENERS:** All fasteners shall be stainless steel.

**FINISH:** All welds shall be cold galvanized and finish painted with durable outdoor aluminum enamel. Add -PC to the model number for frame to be polyester powder coated. Black is standard but other colors are available upon request (additional charge will apply for powder coated finish).

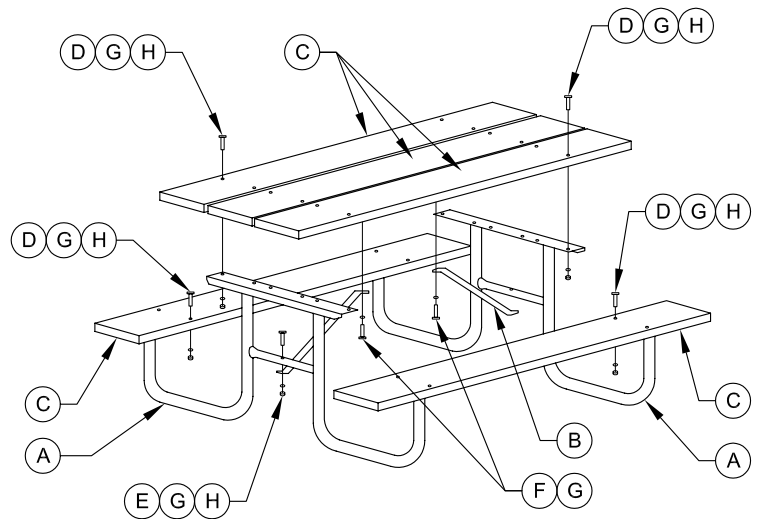
**ASSEMBLY INSTRUCTIONS:**

1. Loosely bolt the top and seat boards to the end frames with fasteners indicated.
2. Loosely bolt the diagonal braces to each end frame cross member and to the underside of the center top board with the hardware indicated.
3. Plumb and square the assembled table and tighten all bolts.

**MODEL No.:**

- #800-6PL** 6' Picnic Table w/ Recycled Plastic Slats
- #800-8PL** 8' Picnic Table w/ Recycled Plastic Slats
- #800-HPL** Accessible Table w/ Recycled Plastic Slats

\* Wheelchair accessible table utilizes 8' long table top with 6' long seats with the additional 2' extension at one end to accommodate two wheelchairs.



ITEM	DESCRIPTION	#800-6PL 6' TABLE	#800-8PL 8' TABLE	#800-HPL 8' TABLE
A	END SUPPORT FRAME	2	2	2
B	DIAGONAL BRACE	2	2	2
C	2 x 10 x 6' SLAT	5		2
C	2 x 10 x 8' SLAT		5	3
D	5/16" x 2" CARRIAGE BOLT	20	20	20
E	5/16" x 2" HEX BOLT	2	2	2
F	5/16" x 1 1/2" HEX LAG	2	2	2
G	5/16" LOCKWASHER	24	24	24
H	5/16" HEX NUT	22	22	22



11800 East 9 Mile Road  
Warren, MI 48089  
Office: (586) 486-1088  
Fax: (586) 754-9130  
Toll Free: (800) 657-6118  
Email: info@coverworx.net  
www.CoverWorx.net

**COVERWORX EXTRAS**

**800PL WorxTable w/ Recycled Plastic Slats  
Picnic Table Design Specifications**