

SPECIFICATIONS:

FRAME: Shall be a one-piece electrically welded unit, with main support frame of 3 1/2" O.D. high tensile galvanized pipe and seat supports of 2 7/8" O.D. high tensile galvanized pipe. Top and seat angles shall be of die formed and precision punched 10 gauge steel.

TOP & SEAT BOARDS: Shall be of 2x10 nominal S4S stock with edges eased and predrilled holes. Available with #1 ACQ or (equal) pressure treated southern yellow pine or Douglas Fir.

HARDWARE: All bolts shall be stainless steel.

FINISH: All welds shall be cold galvanized and finish painted with durable outdoor aluminum enamel.

ASSEMBLY INSTRUCTIONS:

1. Dig the hole for the footer as shown.
2. Attach top and seat boards to frame with the hardware provided.
3. Place assembled unit in the footer hole and block up plumb and level.
4. Pour the concrete and allow to fully cure.
5. Be sure that all fasteners are tight and secure.
6. Backfill the footers with soil if required.

MODEL No.:

- #997 Table Frame Only (Fasteners are Included)
- #997-6T 6' Table Complete with Treated Pine Boards
- #997-8D 8' Table Complete with Douglas Fir Boards

NOTE: Add **-PC** to the model number for frame to be polyester powder coated. Black is standard. Other colors are available upon request (additional charge for powder coated frame).

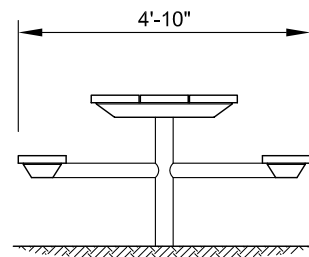


TABLE END VIEW

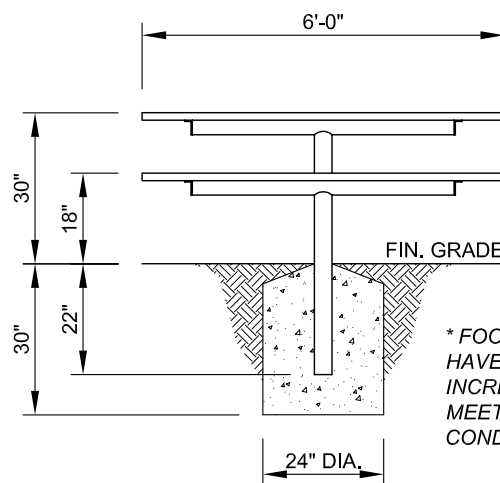
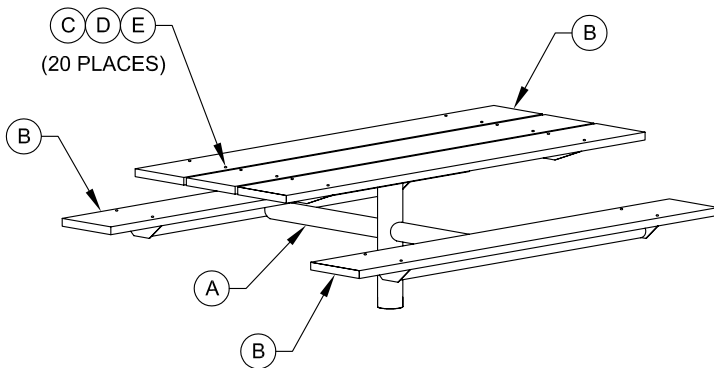


TABLE FRONT VIEW

* FOOTINGS MAY HAVE TO BE INCREASED TO MEET LOCAL CONDITIONS

ITEM	DESCRIPTION	#977 TABLE FRAME	#977-6T 6' TABLE COMPLETE
A	TABLE FRAME	1	2
B	2" x 10" x 6' TABLE PLANK		5
C	5/16" x 2" CARRIAGE BOLT	20	20
D	5/16" LOCKWASHER	20	20
E	5/16" LOCKNUT	20	20

COVERWORX EXTRAS

927-6T Center Post Table
Design Specifications



11800 East 9 Mile Road
Warren, MI 48089
Office: (586) 486-1088
Fax: (586) 754-9130
Toll Free: (800) 657-6118
Email: info@coverworx.net
www.CoverWorx.net