

Model: Steelworx Custom Vented Top Square Shelter, 27'

Manufacturing Mission: To provide all prefabricated components and installation instructions for a 27' square (measured from eave to eave) free standing bolt together, tubular steel constructed shelter kit.

Design Criteria: Structure is typically designed for a 25 lb live load and a 95 mph wind load capacity. All structural members are ASTM A-500 U.S. grade B steel. Welded connection plates shall be ASTM A-36 hot rolled steel. All welding performed to latest AWS standards by ASTM Certified welders and provided in accordance to same. Column to footing connection shall comply with OSHA steel erection standard CFR 1926.759 Part R, with 4 anchor bolts per column (footing design provided separately).

Tubular Steel Columns and Beams: Columns shall be the Worx column with (3) 4" x 4" tubular steel posts on a base with welded to 5/8" base plate. Main support beams are 7" x 5" tubular steel and purlins are 7" x 4" tubular steel.

Roof: 24 Ga. pre-cut standing seam steel panels with Kynar 500 finish in a variety of colors with white underside. Roof slope is a 6/12 pitch with a clear head height of 7'-6". Also available with 4/12 or 8/12 pitch roof. Alternate roofing materials include profile steel panels, asphalt shingles, cedar shake, or clay tile. Tongue & groove wood decking is also available.

Frame Finish: All steel framework will receive a corrosion protective TGIC Polyester powder coat, electro-statically applied and cured at 400°F. A large selection of standard colors are available.

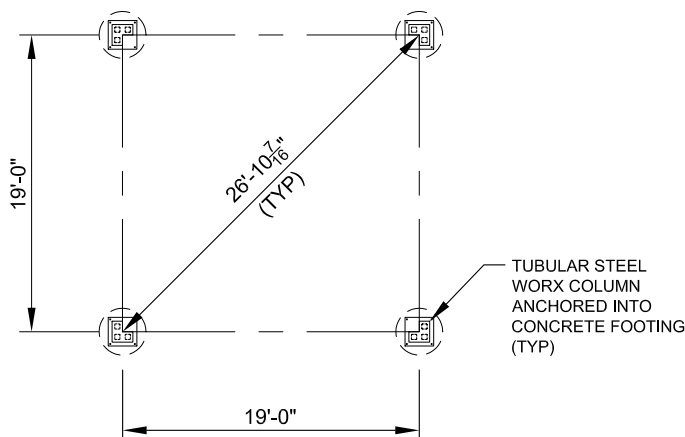
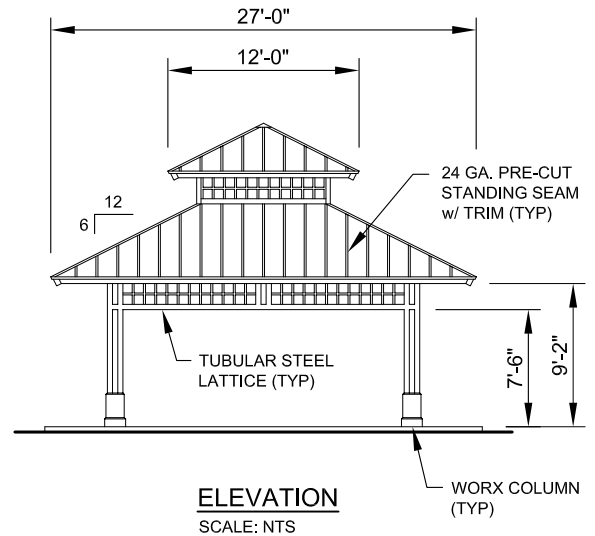
Hardware: All structural hardware provided and to be A-325 grade.

Warranty: 10 years against manufacturer defects.

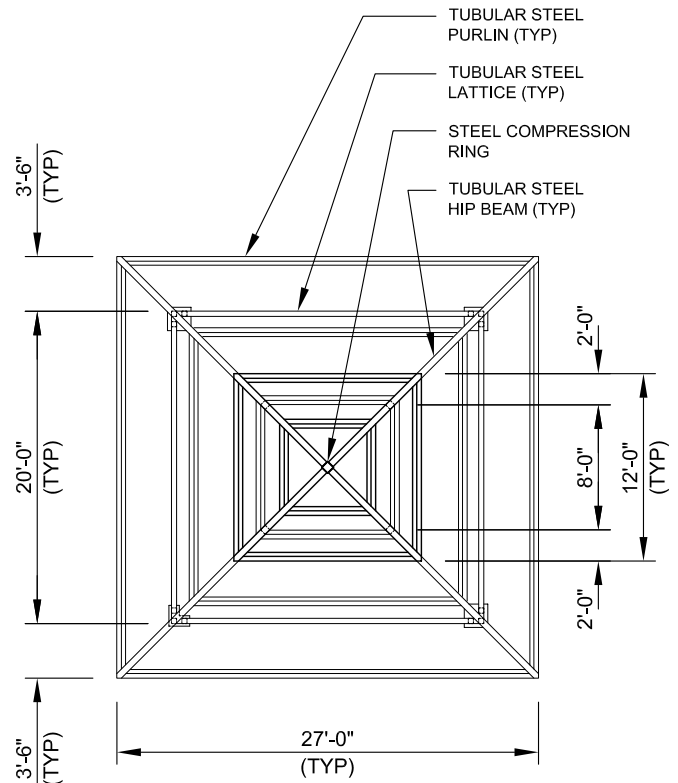
Not Included: Concrete work, unloading of product and installation.

Additional Options:

- Flexibility of Design
 - Such as: Height and Pitch
- Additional Engineering
- Variety of Colors
- Decorative Railings, Lattice, Braces, Trim, etc.
- Cupolas and Rooftop Accs.
- Column Style Variations
- Lexan Wind Screens
- Asphalt Shingles, Steel Panel, Cedar Shake, or Clay Tile Roofing
- Composite Finished Ceiling
- Solar Panels & Solar Lighting
- Site Furnishings and Accs.



FOOTING LAYOUT PLAN
SCALE: NTS



FRAMING PLAN
SCALE: NTS



11800 East 9 Mile Road
Warren, MI 48089
Office: (586) 486-1088
Fax: (586) 754-9130
Toll Free: (800) 657-6118
Email: info@coverworx.net
www.CoverWorx.net

Steelworx Custom Vented Top Square Shelter - 27'

DESIGN SPECIFICATIONS