

**Model: Steelworx Cantilevered Dugout, 18' x 40'**  
**Model # DCA-1840-SW**

**Manufacturing Mission:** To provide all prefabricated components and installation instructions for a 18' deep (measured from eave to eave) by 40' long free standing bolt together, tubular steel constructed shelter kit.

**Design Criteria:** Structure is typically designed for a 25 lb live load and a 90 mph wind load capacity. All structural members are ASTM A-500 U.S. grade B steel. Welded connection plates shall be ASTM A-36 hot rolled steel. All welding performed to latest AWS standards by ASTM Certified welders and provided in accordance to same.

**Tubular Steel Columns and Beams:** Standard column dimensions shall be 7" x 5" tubular steel welded to 5/8" base plate (footing design provided separately). Main support beams are 7" x 5" and purlins are 5" x 3". All framing connections are done using A325 grade bolts within concealed access openings. Steel sizes are preliminary and subject to change with final engineering based on specific site location.

**Roofing:** 24 Ga. pre-cut steel panels with Kynar 500 finish in a variety of colors with white underside. Standard roof slope is a 2/12 pitch with a eave height of 11'-0". Alternate roofing materials include standing seam, asphalt shingles, cedar shake, or clay tile. Tongue & groove wood decking is also available.

**Frame Finish:** All steel framework will receive a corrosion protective TGIC Polyester powder coat, electro-statically applied and cured at 400°F. A large selection of standard colors are available.

**Foundation:** All columns need to be anchored to concrete footings. Columns can be surface mounted with anchor bolts at or below finish slab elevation or they can be embedded directly into the footing. Optional base plate covers are available at an additional cost.

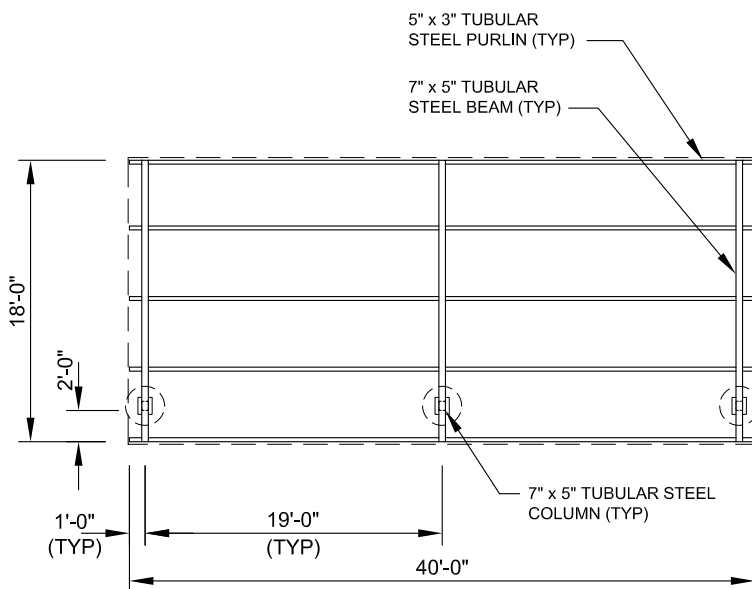
**Hardware:** All structural hardware and roofing fasteners shall be provided.

**Shop Drawing:** The fabricator shall furnish a complete set of installation drawings.

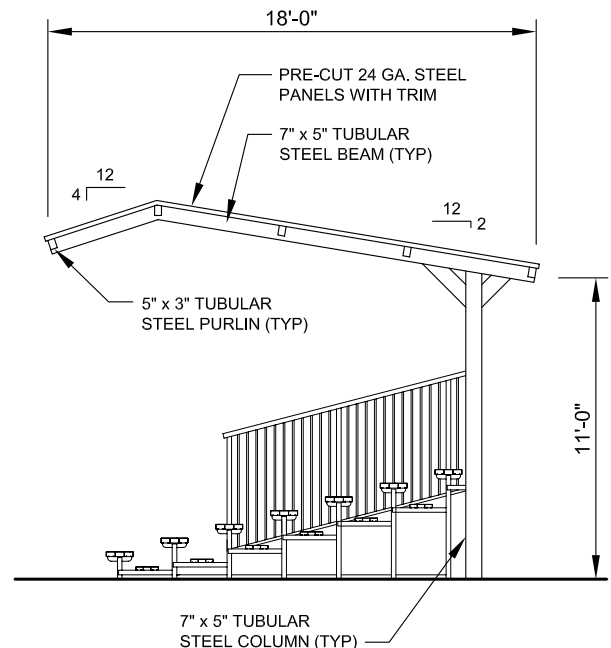
**Not Included:** Concrete work of any kind, unloading of product and installation.

**Additional Options:**

- Flexibility of Design  
Such as: Height and Pitch
- Additional Engineering
- Variety of Colors
- Decorative Railings, Lattice, Braces, Trim, etc.
- Cupolas and Rooftop Accs.
- Column Style Variations
- Lexan Wind Screens
- Standing Seam Roofing
- Composite Finished Ceiling
- Solar Panels & Solar Lighting
- Site Furnishings and Accs.



**FRAMING PLAN**  
SCALE: NTS



**SIDE ELEVATION**  
SCALE: NTS



11800 East 9 Mile Road  
 Warren, MI 48089  
 Office: (586) 486-1088  
 Fax: (586) 754-9130  
 Toll Free: (800) 657-6118  
 Email: info@coverworx.net  
 www.CoverWorx.net

**Steelworx Cantilevered Dugout - 18' x 40'**

**Model: DCA-1840-SW**

**DESIGN SPECIFICATIONS**