

Model: Steelworx Architectural End Gable Shelter, 16' x 20'

Manufacturing Mission: To provide all prefabricated components and installation instructions for a 16' wide by 20' long (measured from eave to eave) free standing bolt together, tubular steel constructed shelter kit.

Design Criteria: Structure shall be designed for a 30 lb live load and a 90 mph wind load capacity, and can be designed based on specific site requirements upon request. All structural members are ASTM A-500 U.S. grade B steel. Welded connection plates shall be ASTM A-36 hot rolled steel. All welding performed to latest AWS standards by ASTM Certified welders and provided in accordance to same.

Tubular Steel Columns and Beams: Custom column dimensions shall be 8" x 8" x 3/16" tubular steel welded to 5/8" base plates. Main support beams are 7" x 5" x 3/16" and purlins are 6" x 4" x 1/8". All framing connections are done using A325 grade bolts within concealed access openings from above and will later be concealed by the roofing. All roof framing shall be flush against the roof decking to eliminate the possibility of bird nesting. Steel sizes are preliminary and may change upon final engineering based on actual site conditions and load requirements.

Roof Deck: 2" x 6" (nominal) #1 Grade, end matched, single tongue and groove with V-joint bottom face, Southern Yellow Pine

Roofing (optional): 24 Ga. pre-cut steel panels with Kynar 500 finish in a variety of colors with white underside. Roof slope is a 10/12 pitch with a eave height of 8'-0". Attached to decking with exposed screws painted to match roof. Matching 24 ga. trim included.

Frame Finish: All steel framework will receive a corrosion protective TGIC Polyester powder coat, electro-statically applied and cured at 400°F. A large selection of standard colors are available.

Foundation: All columns need to be anchored to concrete footings (footing design provided separately). Columns can be surface mounted with anchor bolts at or below finish slab elevation or they can be embedded directly into the footing.

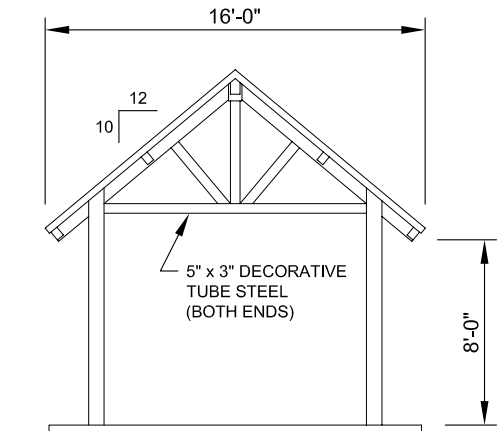
Hardware: All structural hardware and roofing fasteners shall be provided.

Warranty: 5 years against manufacturer defects.

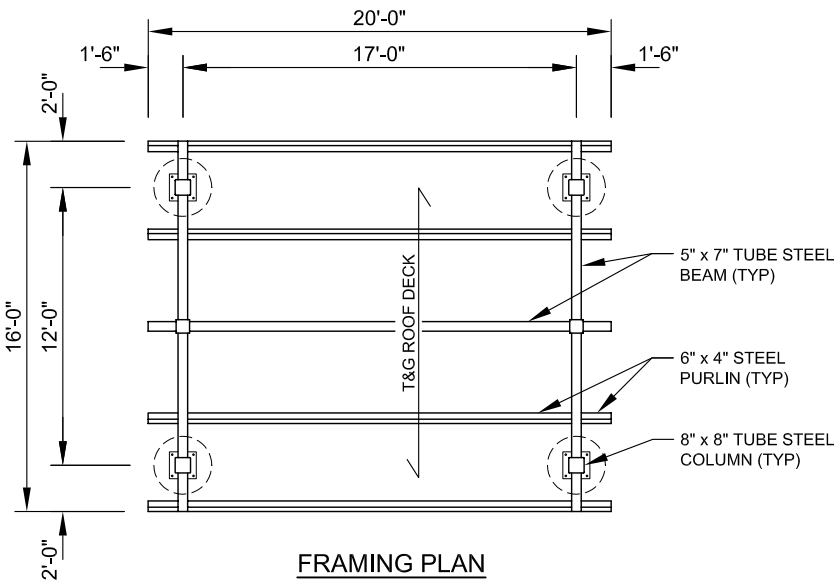
Not Included: Concrete work of any kind, unloading of product and installation.

Additional Options:

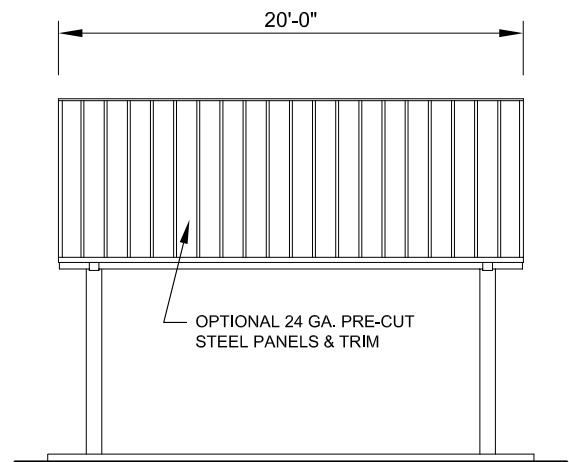
- Flexibility of Design
Such as: Height and Pitch
- Additional Engineering
- Variety of Colors
- Decorative Railings, Lattice, Braces, Trim, etc.
- Cupolas and Rooftop Accs.
- Column Style Variations
- Provisions for Electrical
- Lexan Wind Screens
- Tongue & Groove Roof Decking
- Asphalt Shingles, Standing Seam, Cedar Shake, or Clay Tile Roofing
- Composite Finished Ceiling
- Solar Panels & Solar Lighting
- Site Furnishings and Accs.



FRONT ELEVATION
SCALE: NTS



FRAMING PLAN
SCALE: NTS



SIDE ELEVATION
SCALE: NTS



11800 East 9 Mile Road
Warren, MI 48089
Office: (586) 486-1088
Fax: (586) 754-9130
Toll Free: (800) 657-6118
Email: info@coverworx.net
www.CoverWorx.net

Steelworx Architectural End Gable Shelter - 16' x 20'

Model: GA-1620-SW-AE-C

DESIGN SPECIFICATIONS