

Model: Steelworx Custom Gable Shelter w/ Architectural End, 26'-6" x 46'-6"

Manufacturing Mission: To provide all prefabricated components and installation instructions for a 26'-6" wide (measured from eave to eave) by 46'-6" long free standing bolt together, tubular steel constructed shelter kit.

Design Criteria: Structure is typically designed for a 25 lb live load and a 90 mph wind load capacity, but can be designed based on specific site requirements upon request . All structural members are ASTM A-500 U.S. grade B steel. Welded connection plates shall be ASTM A-36 hot rolled steel. All welding performed to latest AWS standards by ASTM Certified welders and provided in accordance to same.

Tubular Steel Framing: Column dimensions shall be (4) 4" x 4" x 3/16" tubular steel welded to 5/8" base plates. Main support rafter beams shall be 10" x 6" x 3/16" and purlins are 6" x 3" x 3/16". Gable end ornamentation shall feature an 6" x 3" x 3/8" curved beam and 6" x 3" x 1/8" tubular steel vertical member. All bolted connections will be done through access openings from above and will later be concealed by the roofing. All roof framing shall be flush against the roof decking to eliminate the possibility of bird nesting. Steel sizes are preliminary and may change upon final engineering based on actual site conditions and load requirements.

Roofing: 24 Ga. pre-cut standing seam steel panels with bare gavalume finish. Roof slope shall be a 6/12 pitch with a eave height of 8'-6". Attached to steel frame with concealed clips and self tapping screws.

Frame Finish: All steel framework will receive a corrosion protective hot-dipped galvanized finish.

Foundation: All columns need to be anchored to concrete footings (footing design provided separately). Columns shall be surface mounted with anchor bolts at or below finish slab elevation. Optional base plate covers are available at an additional cost.

Hardware: All structural hardware provided and to be A-325.

Shop Drawing: The fabricator shall furnish a complete set of installation drawings.

Warranty: 10 years against manufacturer defects.

Not Included: Concrete or masonry work of any kind, roofing, unloading of product and installation.

Additional Options:

- Flexibility of Design
Such as: Height and Pitch
- Additional Engineering
- Variety of Colors
- Decorative Railings, Lattice, Braces, Trim, etc.
- Cupolas and Rooftop Accs.
- Column Style Variations
- Provisions for Electrical
- Lexan Wind Screens
- Tongue & Groove Roof Decking
- Asphalt Shingles, Standing Seam, Cedar Shake, or Clay Tile Roofing
- Composite Finished Ceiling
- Solar Panels & Solar Lighting
- Site Furnishings and Accs.



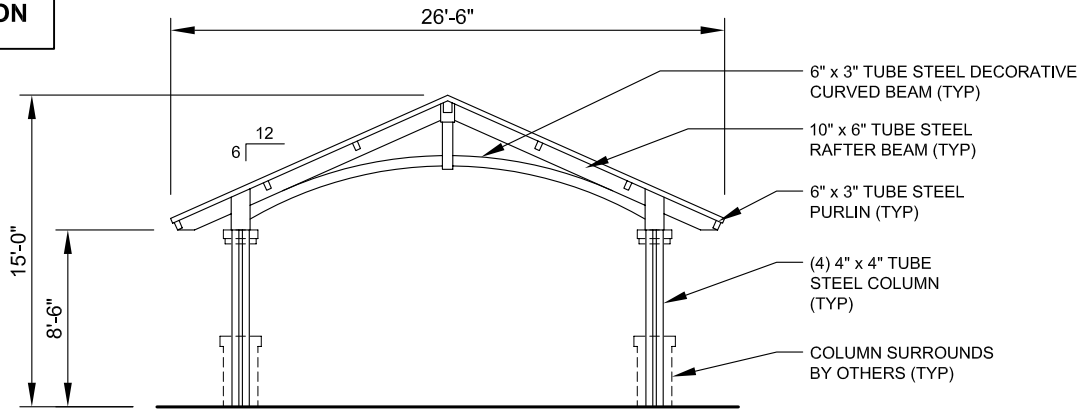
11800 East 9 Mile Road
Warren, MI 48089
Office: (586) 486-1088
Fax: (586) 754-9130
Toll Free: (800) 657-6118
Email: info@coverworx.net
www.CoverWorx.net

Steelworx Custom Architectural End Gable - 26'-6" x 46'-6"

Mode: GA-2646-AE-SW-C

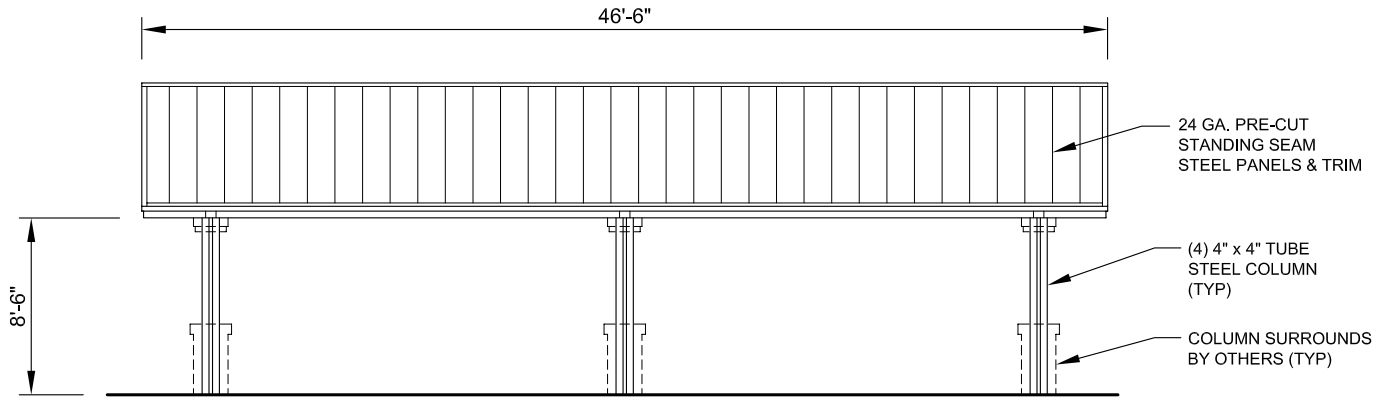
Bulldog Championship Park - Socorro, Texas

NOT FOR CONSTRUCTION



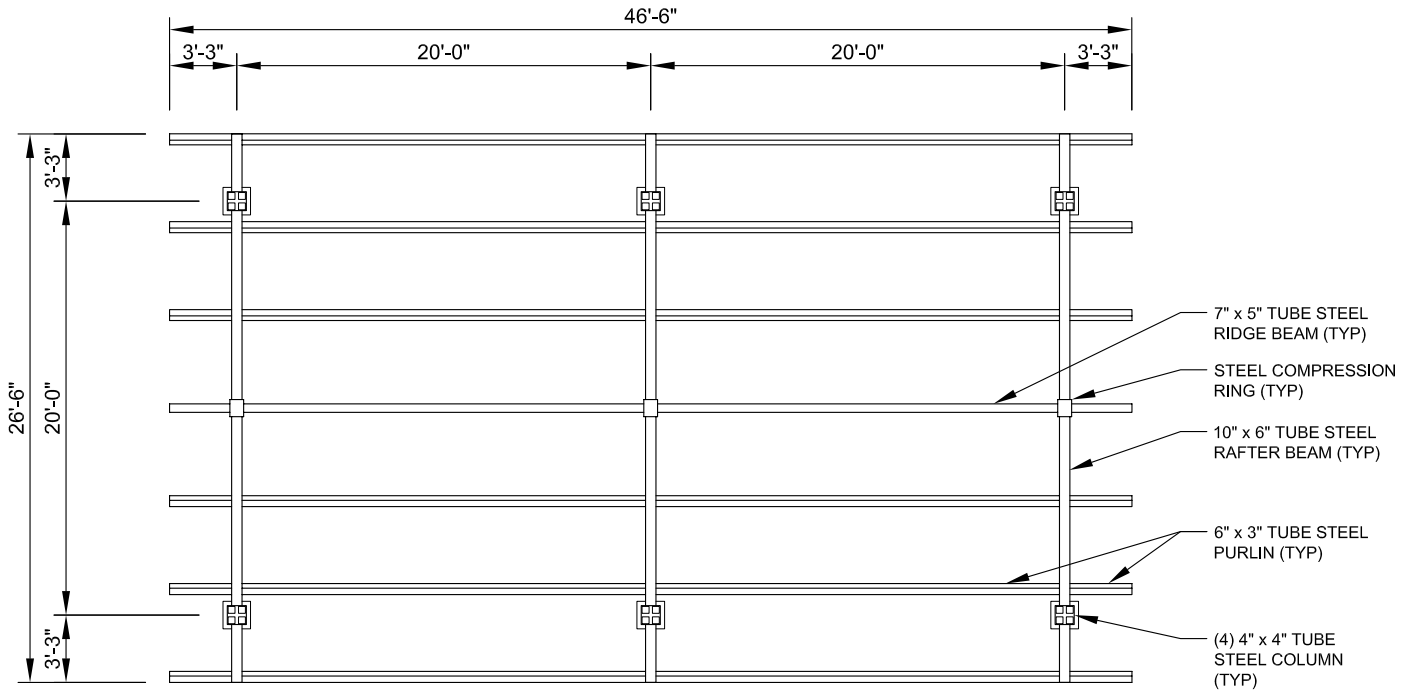
FRONT ELEVATION

SCALE: NTS



SIDE ELEVATION

SCALE: NTS



FRAMING PLAN

SCALE: NTS



11800 East 9 Mile Road
Warren, MI 48089
Office: (586) 486-1088
Fax: (586) 754-9130
Toll Free: (800) 657-6118
Email: info@coverworx.net
www.CoverWorx.net

Steelworx Custom Architectural End Gable - 26'-6" x 46'-6"

Mode: GA-2646-AE-SW-C

Bulldog Championship Park - Socorro, Texas