

Model: Steelworx Hexagonal Gazebo, 30'
Model # HXGZ-30-SW-TG

Manufacturing Mission: To provide all prefabricated components and installation instructions for a 30' hexagonal gazebo (measured from eave to eave) free standing bolt together, tubular steel constructed shelter kit.

Design Criteria: Structure is typically designed for a 30 lb live load and a 100 mph wind load capacity. All structural members are ASTM A-500 U.S. grade B steel. Welded connection plates shall be ASTM A-36 hot rolled steel. All welding performed to latest AWS standards by ASTM Certified welders and provided in accordance to same.

Tubular Steel Columns and Beams: Standard column dimensions shall be 5" x 5" tubular steel welded to 5/8" base plate (footing design provided separately). Perimeter and interior support beams are 3" x 4" to 5" x 7" with a thickness between 1/8" and 3/16" based on location.

Roof: 24 Ga. pre-cut steel panels with Kynar 500 finish in a variety of colors with white underside. Standard roof slope is a 6/12 pitch with a eave height of 8'-0".

Roof Deck: Two-inch (nominal) #1 Grade, end matched, single tongue and groove with V-joint bottom face, Southern Yellow Pine.

Frame Finish: All steel framework will undergo a three step corrosion protective TGIC Polyester powder coat application. A large selection of standard colors are available.

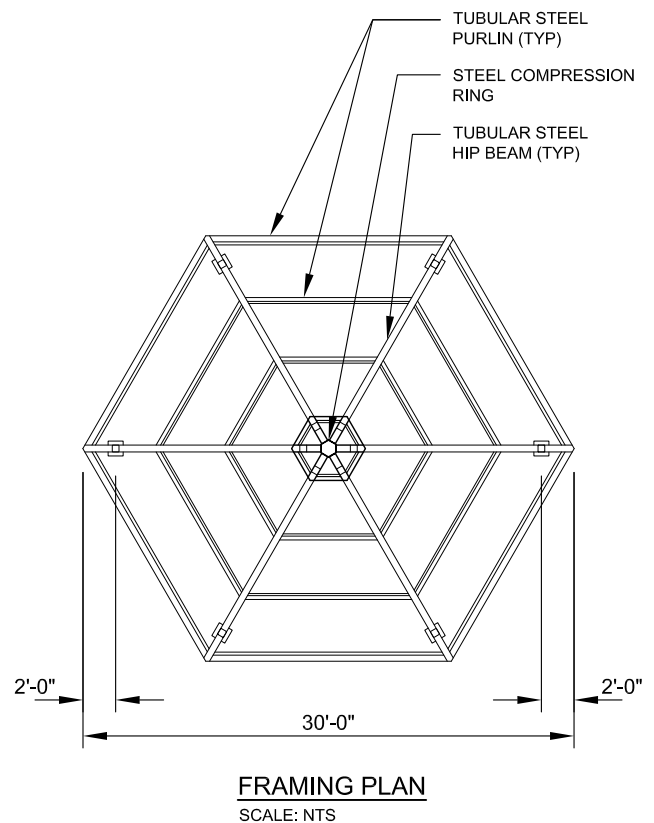
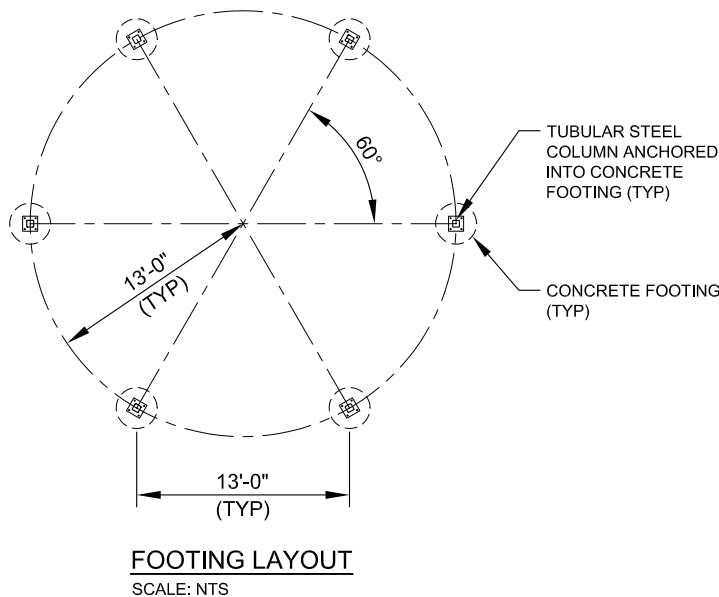
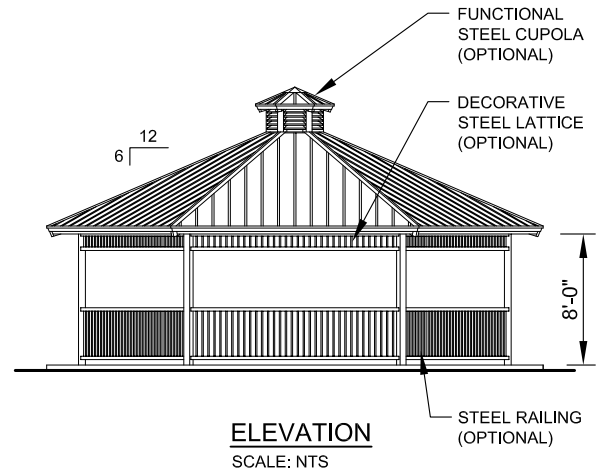
Foundation: All columns need to be anchored to concrete footings. Columns can be surface mounted with anchor bolts at or below finish slab elevation or they can be embedded directly into the footing. Optional base plate covers are available at an additional cost.

Hardware: All structural hardware provided and to be A-325 or B7 as required.

Not Included: Concrete work of any kind, unloading of product and installation.

Additional Options:

- Flexibility of Design
Such as: Height and Pitch
- Additional Engineering
- Variety of Colors
- Decorative Railings, Lattice, Braces, Trim, etc.
- Column Style Variations
- Lexan Wind Screens
- Tongue & Groove Wood Decking
- Asphalt Shingles, Standing Seam, Cedar Shake, or Clay Tile Roofing.
- Site Furnishings and Accs.
- Solar Panels & Solar Lighting



11800 East 9 Mile Road
 Warren, MI 48089
 Office: (586) 486-1088
 Fax: (586) 754-9130
 Toll Free: (800) 657-6118
 Email: info@coverworx.net
 www.CoverWorx.net

Steelworx Hexagonal Gazebo - 30'

Model: HXGZ-30-SW-TG

DESIGN SPECIFICATIONS