

**Model: Steelworx 4 Post Kiosk, 4' x 4', Model # K4P-0404-SW**

**Manufacturing Mission:** To provide all prefabricated components and installation instructions for a 4' wide by 4' long (approximately) free standing bolt together, tubular steel constructed kiosk kit.

**Design Criteria:** Structure is typically designed for a 25 lb live load and a 90 mph wind load capacity, but can be designed based on specific site requirements upon request. All structural members are ASTM A-500 U.S. grade B steel. Welded connection plates shall be ASTM A-36 hot rolled steel. All welding performed to latest AWS standards by ASTM Certified welders and provided in accordance to same.

**Tubular Steel Columns and Beams:** Standard column dimension shall be 5" x 5" x 1/8" tubular steel welded to 5/8" base plate (footing design provided separately). Steel sizes are preliminary and may change upon final engineering based on actual site conditions and load requirements (site specific engineering shall be an additional cost).

**Information Board:** 3'-0" wide x 4'-0" high, 3/4" marine grade plywood with steel frame. Two total.

**Display Case:** 3'-0" wide x 4'-0" high aluminum case with locking acrylic door. Two total.

**Frame Finish:** All steel framework will receive a corrosion protective TGIC Polyester powder coat, electro-statically applied and cured at 400°F. A large selection of standard colors are available.

**Foundation:** All columns need to be anchored to concrete footings. Columns can be surface mounted with anchor bolts at or below finish slab elevation or they can be embedded directly into the footing.

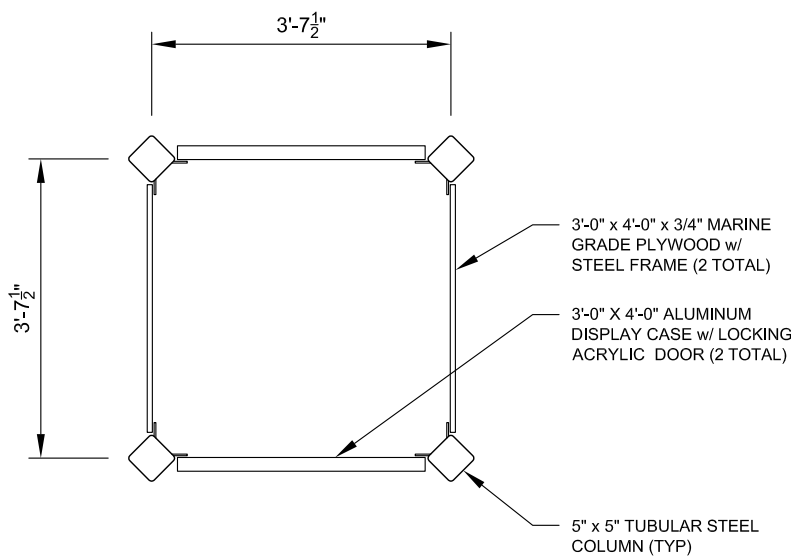
**Hardware:** All structural and mounting hardware shall be provided.

**Warranty:** 10 years against manufacturer defects.

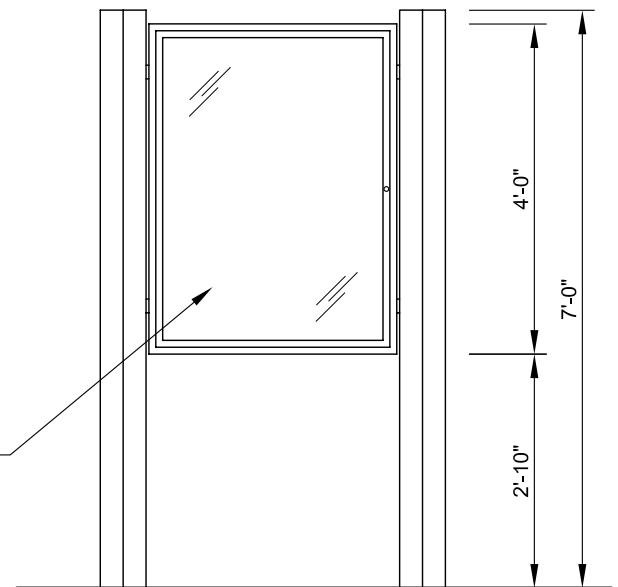
**Not Included:** Concrete work of any kind, unloading of product and installation.

**Additional Options:**

- Flexibility of Design  
Such as: Height & Size
- Additional Engineering
- Variety of Colors
- Decorative Railings, Lattice, Braces, Trim, etc.
- Protective Rooftops.
- Column Style Variations
- Site Furnishings and Accs.



**FRAMING PLAN**  
SCALE: NTS



**TYPICAL ELEVATION**  
SCALE: NTS



11800 East 9 Mile Road  
Warren, MI 48089  
Office: (586) 486-1088  
Fax: (586) 754-9130  
Toll Free: (800) 657-6118  
Email: info@coverworx.net  
www.CoverWorx.net

**Steelworx 4 Post Kiosk - 4' x 4'**

**Model: K4P-0404-SW**

**DESIGN SPECIFICATIONS**