

Model: Steelworx Hexagonal Kiosk Shelter, 8' x 8', Model # KH-0808-SW

Manufacturing Mission: To provide all prefabricated components and installation instructions for a 8'-0" wide (measured from outside to outside of columns) free standing bolt together, tubular steel constructed shelter kit.

Design Criteria: Structure is typically designed for a 25 lb live load and a 90 mph wind load capacity, but can be designed based on specific site requirements upon request . All structural members are ASTM A-500 U.S. grade B steel. Welded connection plates shall be ASTM A-36 hot rolled steel. All welding performed to latest AWS standards by ASTM Certified welders and provided in accordance to same.

Tubular Steel Columns and Beams: Standard column dimension shall be 5" x 5" x 3/16" tubular steel welded to 5/8" base plate (footing design provided separately). Main support beams are 5" x 5" x 3/16" and purlins are 5" x 3" x 1/8". All framing connections are done using A325 grade bolts within concealed access openings from above and will later be concealed by the roofing. Steel sizes are preliminary and may change upon final engineering based on actual site conditions and load requirements (site specific engineering shall be an additional cost).

Information Board: 3'-0" wide x 4'-0" high, 3/4" marine grade plywood with steel frame. Three total.

Display Case: 3'-0" wide x 4'-0" high aluminum case with locking acrylic door. Three total.

Frame Finish: All steel framework will receive a corrosion protective TGIC Polyester powder coat, electro-statically applied and cured at 400°F. A large selection of standard colors are available.

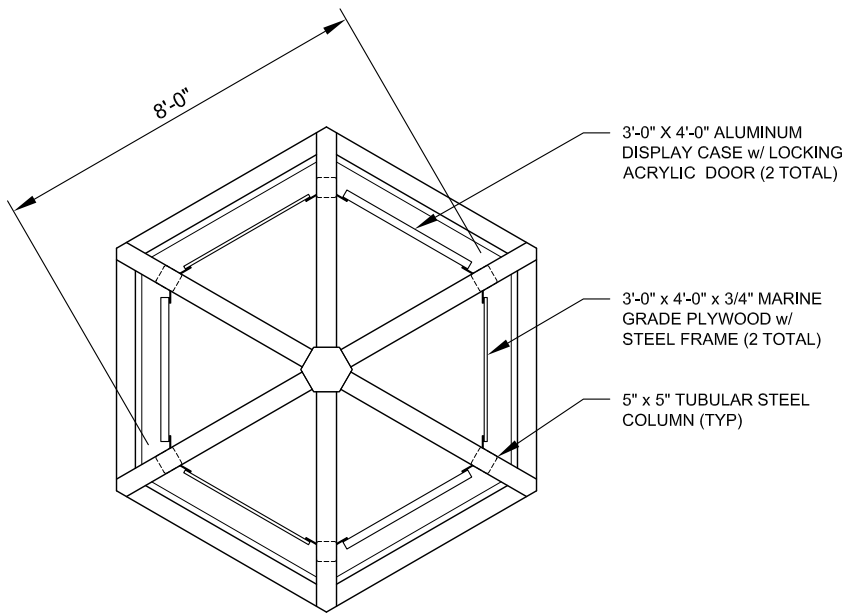
Roofing: 24 Ga. pre-cut steel panels with Kynar 500 finish in a variety of colors with white underside. Standard roof slope is a 4/12 pitch with a eave height of 7'-6". Also available with 6/12 or 8/12 pitch roof. Attached to structural framing with engineered strength self tapping screws.

Foundation: All columns need to be anchored to concrete footings. Columns can be surface mounted with anchor bolts at or below finish slab elevation or they can be embedded directly into the footing.

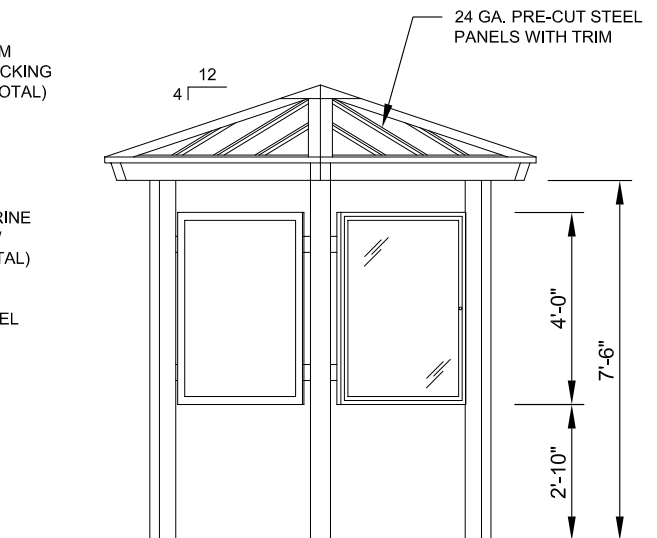
Hardware: All structural and mounting hardware shall be provided.

Warranty: 10 years against manufacturer defects.

Not Included: Concrete work of any kind, unloading of product and installation.



FRAMING PLAN
SCALE: 1/4" = 1'-0"



ELEVATION
SCALE: 1/4" = 1'-0"



11800 East 9 Mile Road
Warren, MI 48089
Office: (586) 486-1088
Fax: (586) 754-9130
Toll Free: (800) 657-6118
Email: info@coverworx.net
www.CoverWorx.net

Steelworx Hexagonal Kiosk Shelter - 8' x 8'

Model: KH-0808-SW

DESIGN SPECIFICATIONS