

## **Model: Steelworx Custom Monoslope Shelter, 22' x 42'** **Model # MO-2242-SW-C**

**Manufacturing Mission:** To provide all prefabricated components and installation instructions for a 22' wide by 42' long (measured from eave to eave) free standing bolt together, tubular steel constructed shelter kit.

**Design Criteria:** Structure is typically designed for a 25 lb live load and a 90 mph wind load capacity, but can be designed based on specific site requirements upon request. All structural members are ASTM A-500 U.S. grade B steel. Welded connection plates shall be ASTM A-36 hot rolled steel. All fabrication performed to latest AISC standards by AWS Certified welders. All framing connections are done using A325 grade bolts within concealed access openings from above and will later be concealed by the roofing. All roof framing shall be flush against the roof decking to eliminate the possibility of bird nesting.

**Tubular Steel Columns and Beams:** Column dimension shall be 8" diameter tubular steel welded to 5/8" base plates for surface mounting with decorative top and bottom. Main support beams are 8" x 6" x 3/16" and purlins are 6" x 4" x 3/16". Steel sizes are preliminary and are subject to change due to ongoing review and final engineering.

**Roofing:** 24 Ga. pre-cut steel Medallion-Lok standing seam panels with Kynar 500 finish in a variety of colors with white underside. Standard roof slope is a 2/12 pitch with a eave height of 8'-0". Attached to structural framing with concealed clips and screws. Matching 24 Ga. trim is included.

**Frame Finish:** All steel framework will receive a corrosion protective TGIC Polyester powder coat, electro-statically applied and cured at 400°F. A large selection of standard colors are available.

**Foundation:** All columns need to be anchored to concrete footings (footing design provided separately). Columns can be surface mounted to footings with anchor bolts at or below finish slab elevation or they can be embedded directly into the footing without base plates upon request. Anchor bolts and bracing templates are included. Optional base plate covers are available at an additional cost.

**Hardware:** All structural hardware and roofing fasteners shall be provided.

**Warranty:** 10 years against manufacturer defects.

**Not Included:** Concrete work of any kind, unloading of product and installation.

### **Additional Options:**

- Flexibility of Design  
Such as: Height and Pitch
- Additional Engineering
- Variety of Colors
- Decorative Railings, Lattice, Braces, Trim, etc.
- Cupolas and Rooftop Accs.
- Provisions for Electrical
- Column Style Variations
- Lexan Wind Screens
- Standing Seam Roofing
- Composite Finished Ceiling
- Solar Panels & Solar Lighting
- Site Furnishings and Accs.

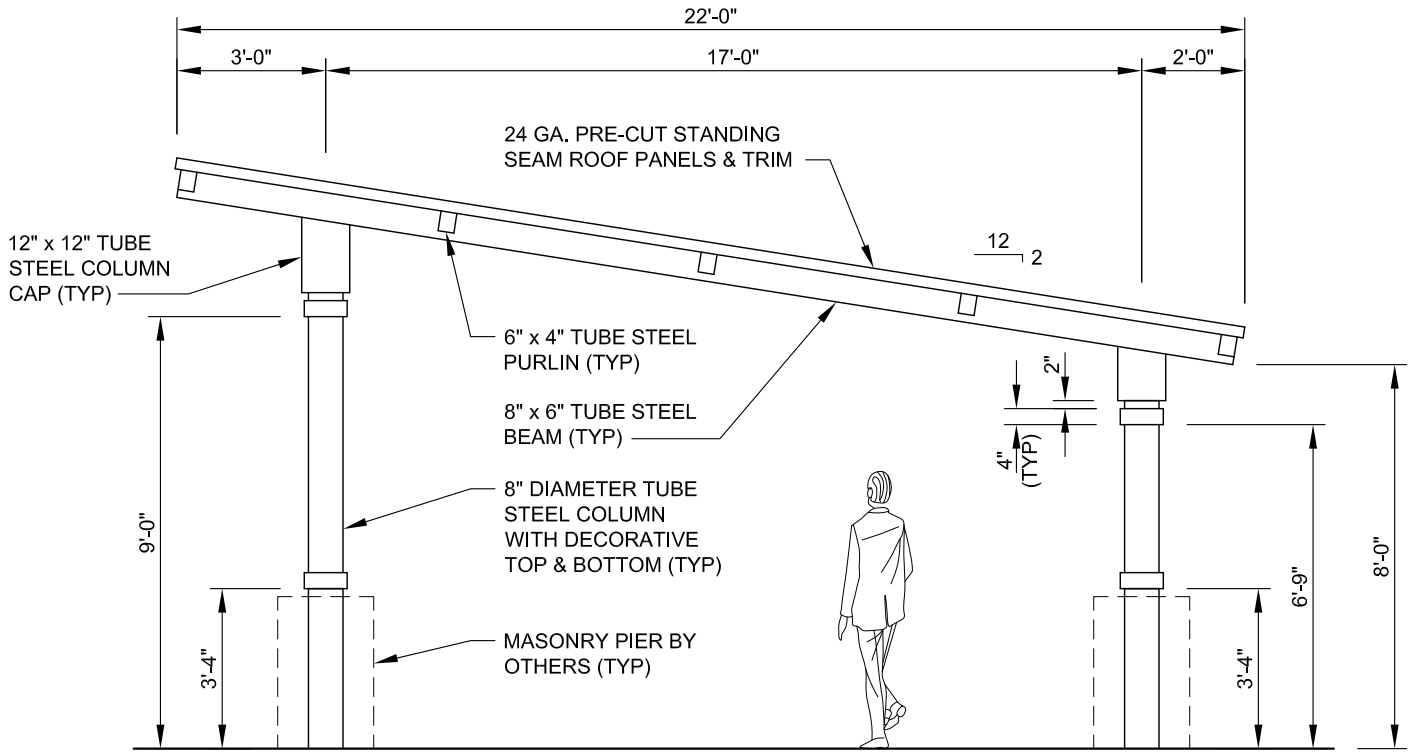


11800 East 9 Mile Road  
Warren, MI 48089  
Office: (586) 486-1088  
Fax: (586) 754-9130  
Toll Free: (800) 657-6118  
Email: info@coverworx.net  
www.CoverWorx.net

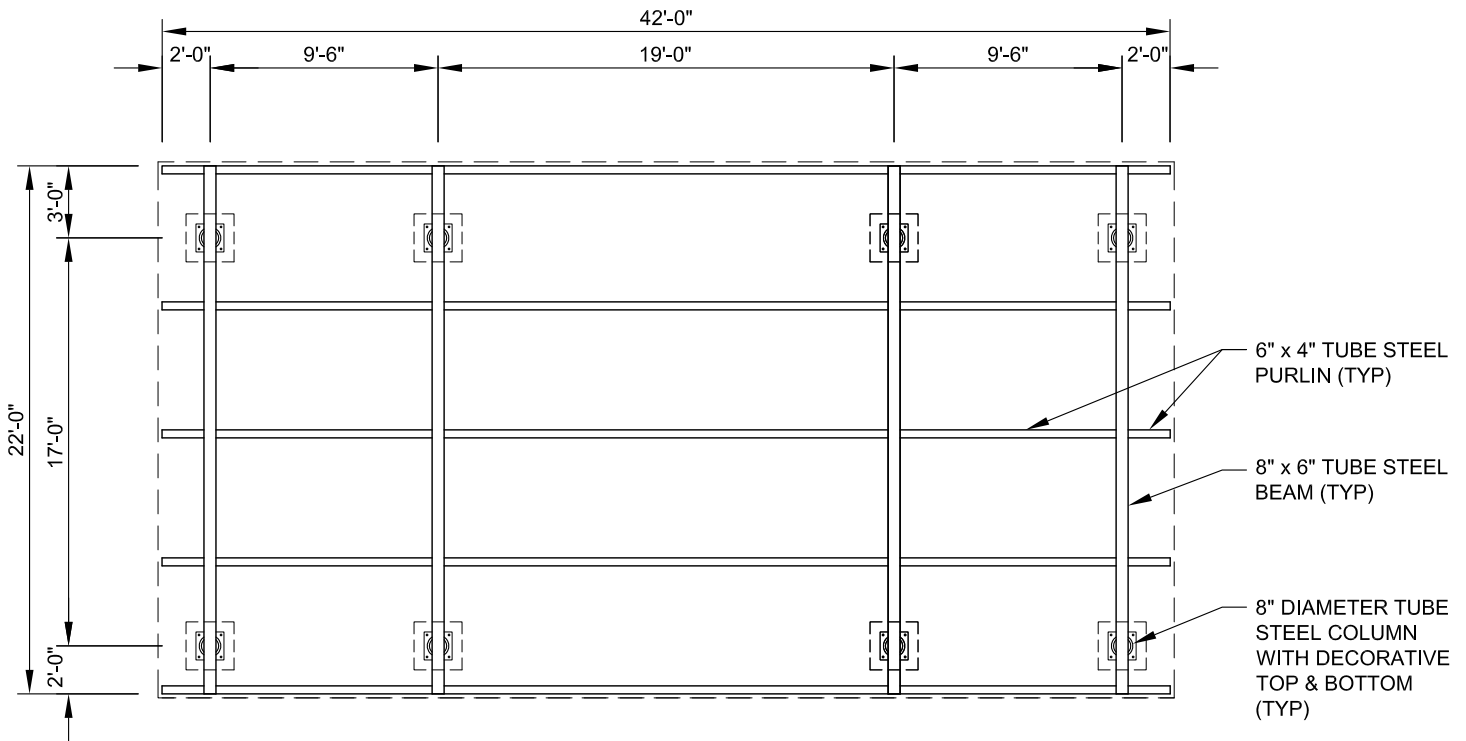
Steelworx Custom Monoslope Shelter - 22' x 42'

Model: MO-2242-SW-C

DESIGN SPECIFICATIONS



**SIDE ELEVATION**  
SCALE: NTS



**FRAMING PLAN**  
SCALE: NTS



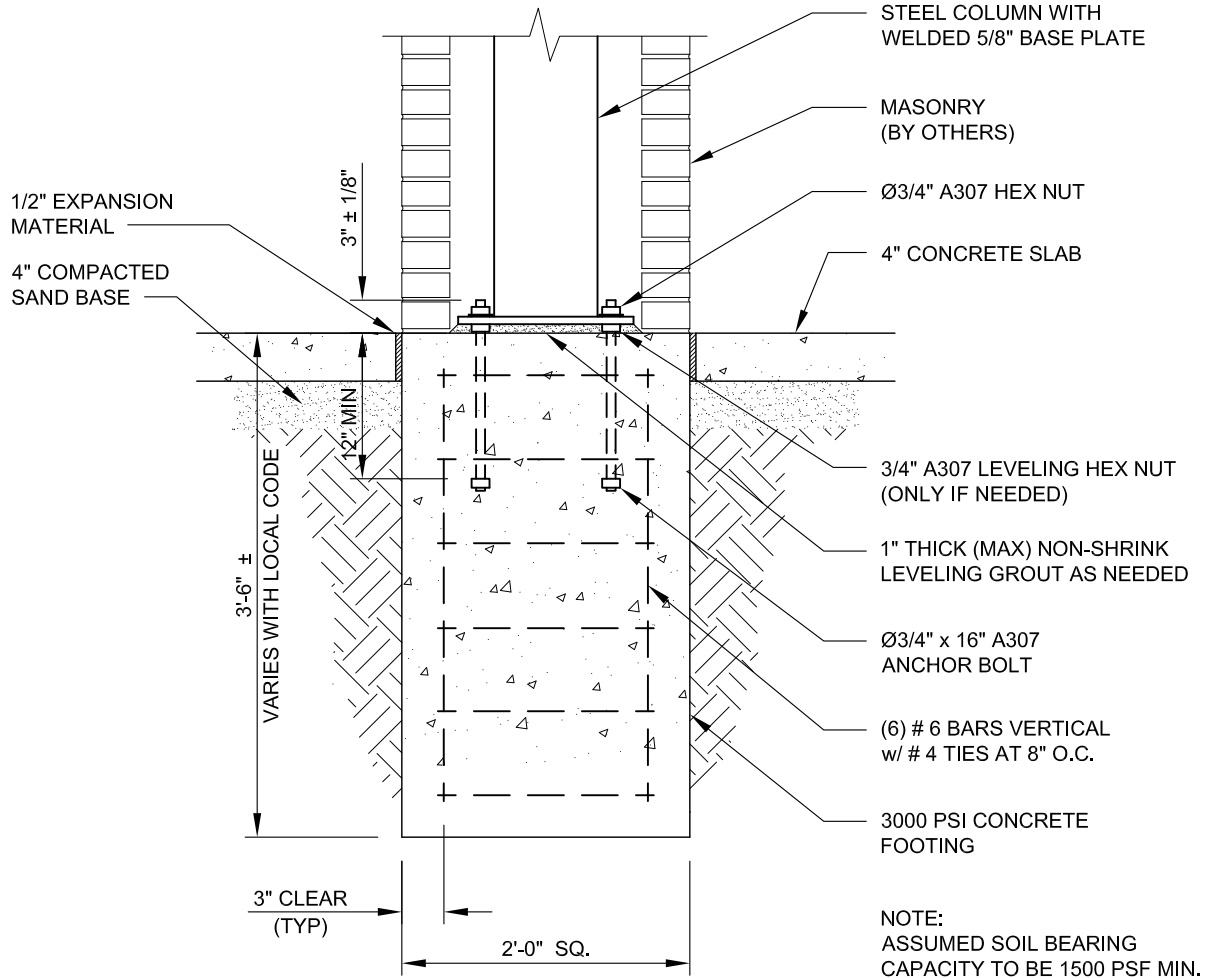
11800 East 9 Mile Road  
Warren, MI 48089  
Office: (586) 486-1088  
Fax: (586) 754-9130  
Toll Free: (800) 657-6118  
Email: info@coverworx.net  
www.CoverWorx.net

**Steelworx Custom Monoslope Shelter - 22' x 42'**

**Model: MO-2242-SW-C**

**DESIGN SPECIFICATIONS**

NOT FOR CONSTRUCTION



**ESTIMATED FOOTING DETAIL**

SCALE: NTS

**GENERAL NOTES:**

1. FINAL FOOTING SIZE SHOULD BE DETERMINED BY A LOCAL SOILS ENGINEER AND IS THE RESPONSIBILITY OF THE CONTRACTOR / OWNER TO OBTAIN ONE. ENGINEERING MAY BE PROVIDED BY COVERWORX AT AN ADDITIONAL COST.
2. FOOTING, SLAB AND MASONRY MATERIAL AND INSTALLATION SHALL BE BY THE GENERAL CONTRACTOR.



11800 East 9 Mile Road  
Warren, MI 48089  
Office: (586) 486-1088  
Fax: (586) 754-9130  
Toll Free: (800) 657-6118  
Email: info@coverworx.net  
www.CoverWorx.net

Steelworx Custom Monoslope Shelter - 22' x 42'

Model: MO-2242-SW-C

DESIGN SPECIFICATIONS