

## Steelworx Pergola, 14' x 20'

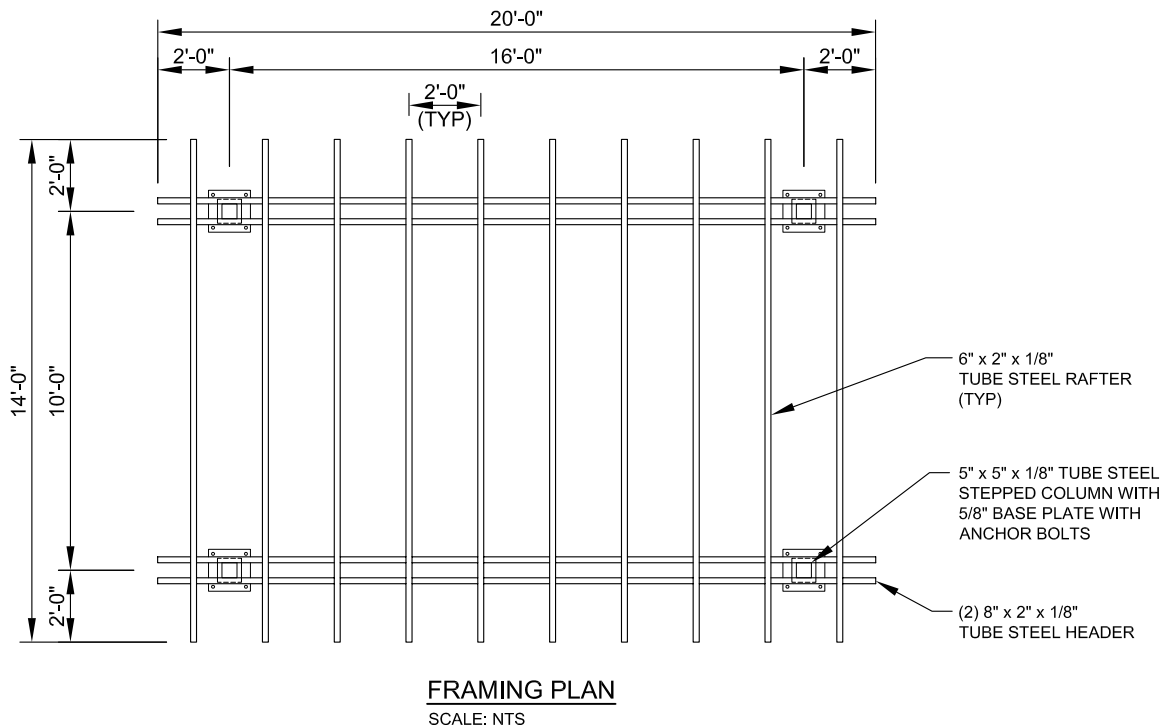
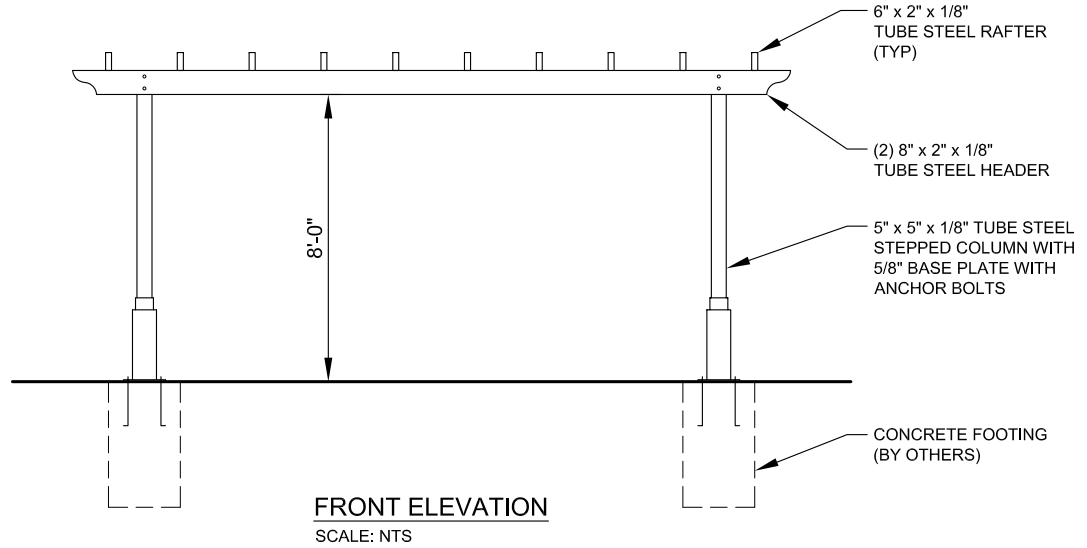
**Steel:** All structural members are ASTM A-500 U.S. grade B steel. Welded connection plates shall be ASTM A-36 hot rolled steel. Standard column dimensions shall be 5" x 5" x 1/8" tubular steel welded to 5/8" base plate with anchor bolts. Main support headers are (2) 8" x 2" x 1/8" and rafters are 6" x 2" x 1/8" tubular steel. All steel connections to be bolted or screwed in place on-site.

**Frame Finish:** All steel framework will receive a corrosion protective TGIC Polyester powder coat, electro-statically applied and cured at 400°F. A large selection of standard colors are available. Hot-dipped galvanizing is also available upon request.

**Hardware:** All structural hardware provided and to be A-325 or B7 as required.

**Shop Drawing:** The fabricator shall furnish a complete set of installation drawings.

**Not Included:** Concrete or masonry work of any kind, decorative covers, unloading of product and installation.



11800 East 9 Mile Road  
Warren, MI 48089  
Office: (586) 486-1088  
Fax: (586) 754-9130  
Toll Free: (800) 657-6118  
Email: info@coverworx.net  
www.CoverWorx.net

Steelworx Pergola - 14' x 20'

Model: PG-1420-SW-DH

DESIGN SPECIFICATIONS