

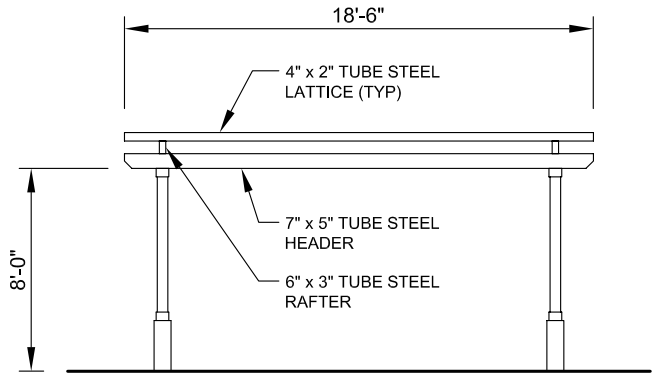
**Steelworx Pergola, 19' x 38'**

**Steel:** All structural members are ASTM A-500 U.S. grade B steel. Welded connection plates shall be ASTM A-36 hot rolled steel. Standard column dimensions shall be 5" x 5" x 1/8" tubular steel welded to 5/8" base plate with anchor bolts. Main support headers are 7" x 5" x 3/16", rafters are 6" x 3" x 1/8" and lattice is 4" x 2" x 1/8". All steel framework shall be factory primed and painted on-site by others. All steel connections to be bolted or screwed in place on-site.

**Hardware:** All structural hardware shall be provided.

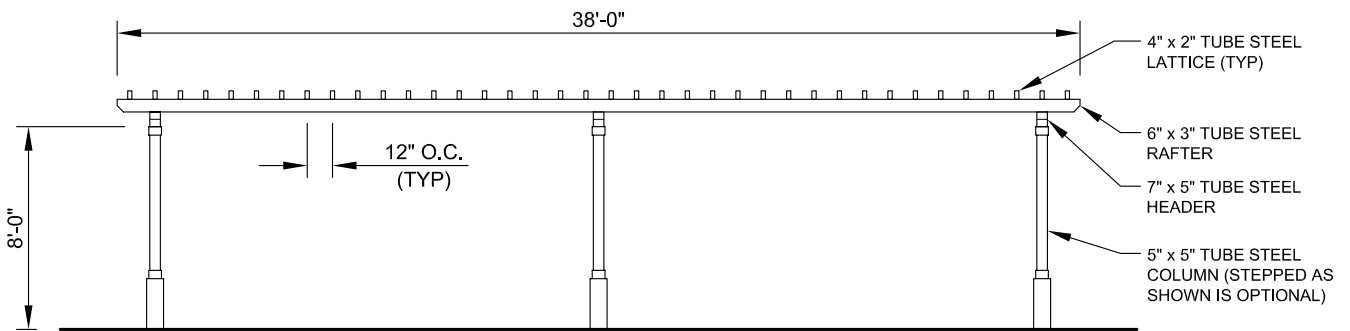
**Shop Drawing:** The fabricator shall furnish a complete set of installation drawings.

**Not Included:** Concrete or masonry work of any kind and unloading of product and installation.



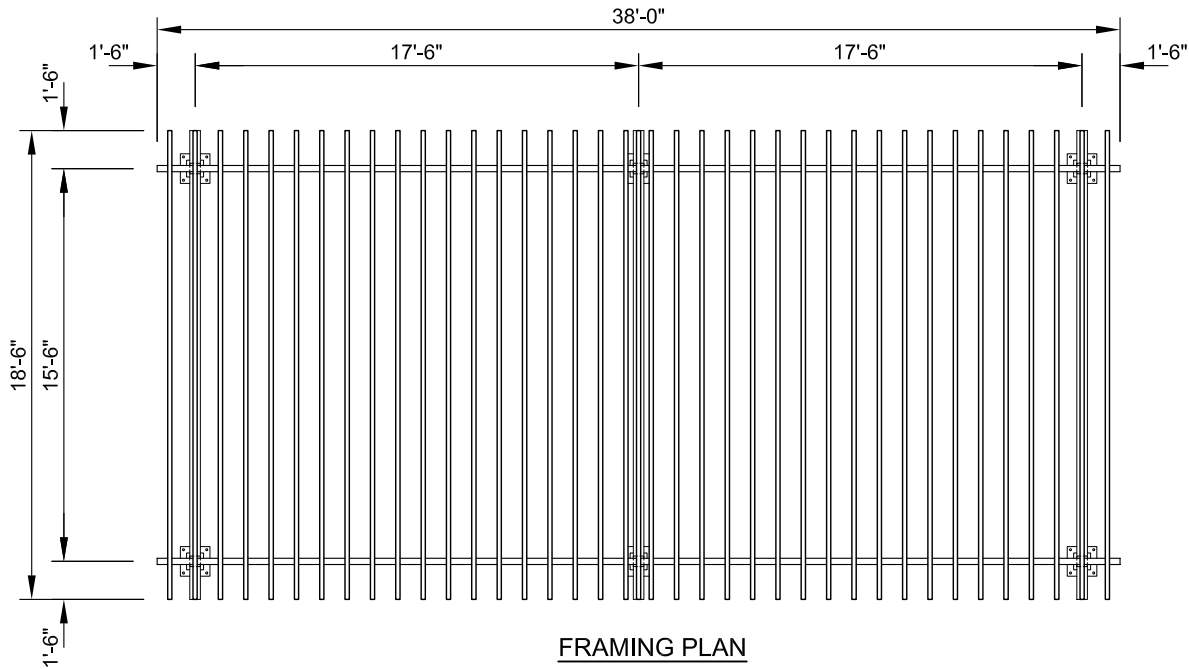
**SIDE ELEVATION**

SCALE: NTS



**FRONT ELEVATION**

SCALE: NTS



**FRAMING PLAN**

SCALE: NTS



11800 East 9 Mile Road  
Warren, MI 48089  
Office: (586) 486-1088  
Fax: (586) 754-9130  
Toll Free: (800) 657-6118  
Email: info@coverworx.net  
www.CoverWorx.net

Steelworx Pergola - 19' x 38'

Model: PG-1938-SW-C

DESIGN SPECIFICATIONS