

Steelworx Pergola, 8' x 28'

Design Criteria: Structure is typically designed for a 25 lb live load and a 90 mph wind load capacity, but can be designed based on specific site requirements upon request.

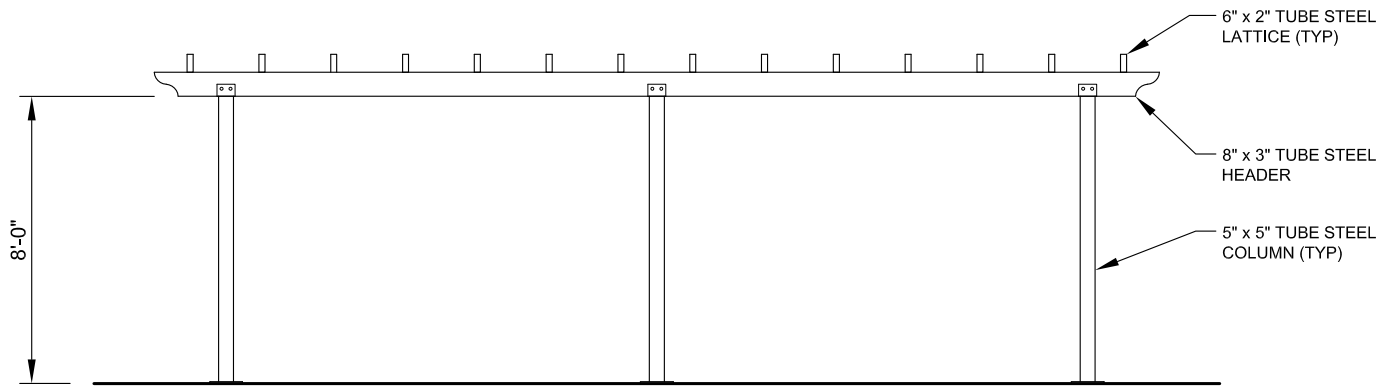
Steel: All structural members are ASTM A-500 U.S. grade B steel. Welded connection plates shall be ASTM A-36 hot rolled steel. Standard column dimensions shall be 5" x 5" x 3/16" tubular steel welded to a 5/8" base plate for surface mounting with anchor bolts included. Main support headers are 8" x 3" x 3/16" and lattice is 6" x 2" x 1/8". All steel connections to be bolted or screwed in place on-site. Steel sizes are preliminary and may change due to ongoing review and final engineering.

Frame Finish: All steel framework will receive a corrosion protective TGIC Polyester powder coat, electro-statically applied and cured at 400°F. A large selection of standard colors are available.

Foundation: All columns need to be anchored to concrete footings (footing design provided separately). Columns can be surface mounted with anchor bolts at or below finish slab elevation or they can be embedded directly into the footing. Optional base plate covers are available at an additional cost.

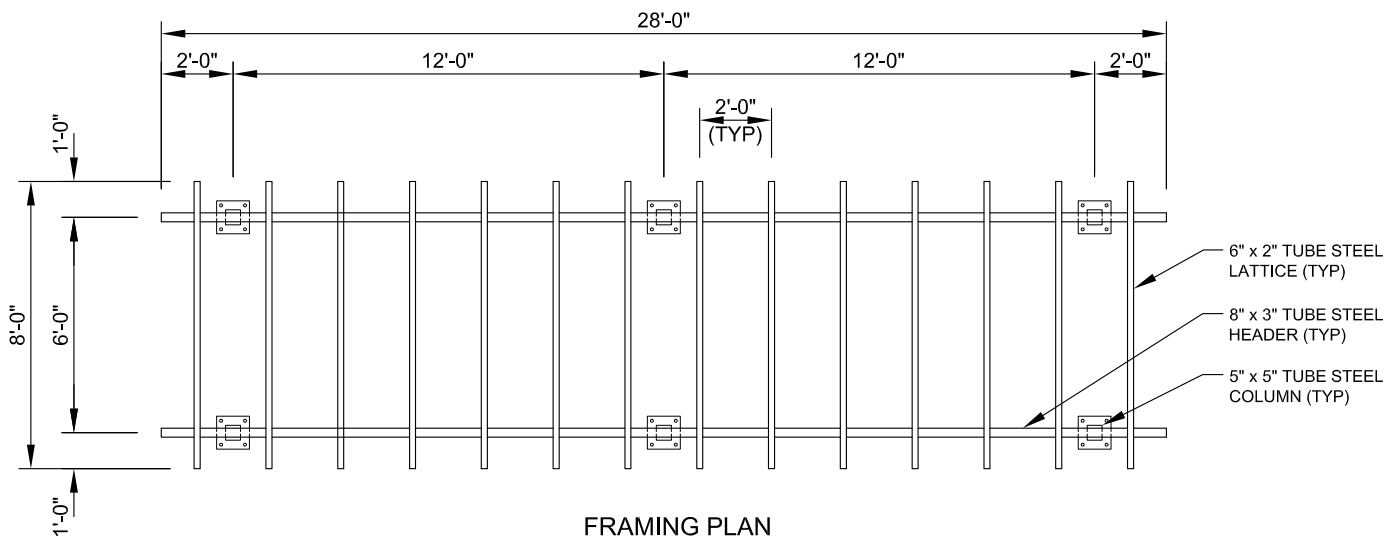
Hardware: All structural hardware shall be provided.

Warranty: 10 years against manufacturer defects.



FRONT ELEVATION

SCALE: NTS



FRAMING PLAN

SCALE: NTS



11800 East 9 Mile Road
Warren, MI 48089
Office: (586) 486-1088
Fax: (586) 754-9130
Toll Free: (800) 657-6118
Email: info@coverworx.net
www.CoverWorx.net

Steelworx Pergola - 8' x 28'

Model: PG-0828-SW

DESIGN SPECIFICATIONS