

Model: Steelworx Custom Radius Pergola, 20' x 104'

Manufacturing Mission: To provide all prefabricated components and installation instructions for a free standing bolt together, tubular steel constructed kit.

Design Criteria: Structure is typically designed for a 25 lb live load and a 90 mph wind load capacity, but can be designed based on specific site requirements upon request. All structural members are ASTM A-500 U.S. grade B steel. Welded connection plates shall be ASTM A-36 hot rolled steel. All welding performed to latest AWS standards by ASTM Certified welders and provided in accordance to same.

Tubular Steel Columns and Beams: Columns as shown shall be 7" x 7" tubular steel welded to base plates. Standard curved header beam dimensions shall be 6" x 4" and lattice shall be 5" x 3" (long leg vertical) angle iron. Steel sizes are preliminary and may change upon final engineering based on actual site conditions and load requirements (site specific engineering shall be an additional cost).

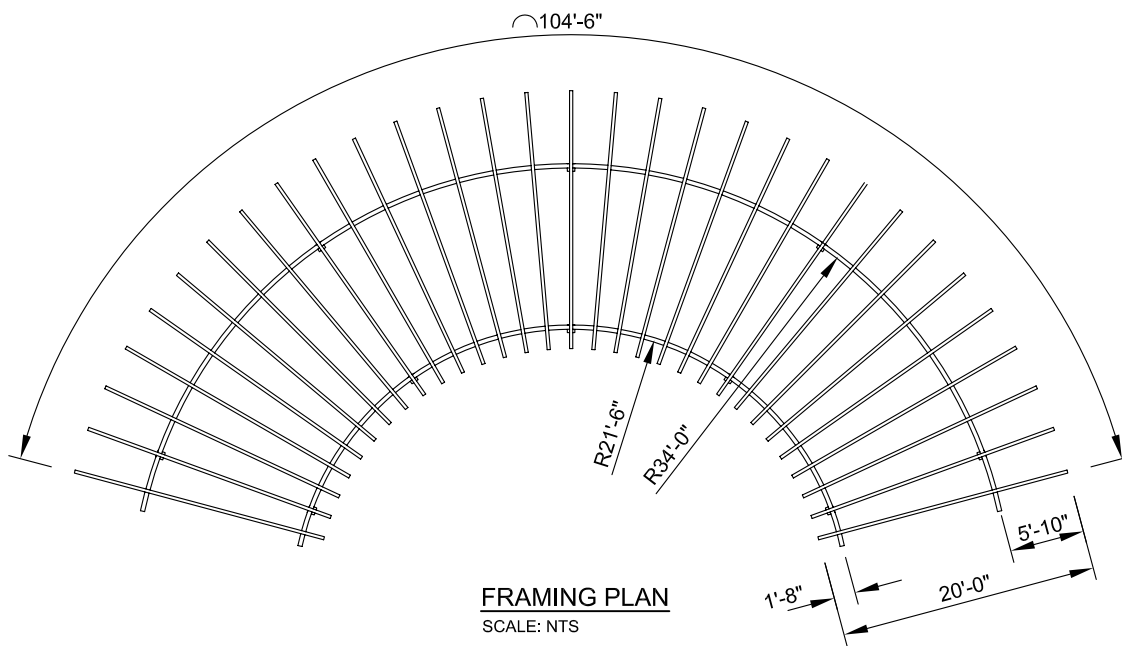
Frame Finish: All steel framework will receive a corrosion protective TGIC Polyester powder coat, electro-statically applied and cured at 400°F. A large selection of standard colors are available.

Foundation: All columns need to be anchored to concrete footings (footing design provided separately). Columns can be surface mounted with anchor bolts at or below finish slab elevation or they can be embedded directly into the footing. Optional base plate covers are available at an additional cost.

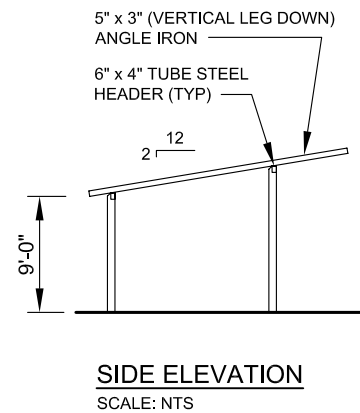
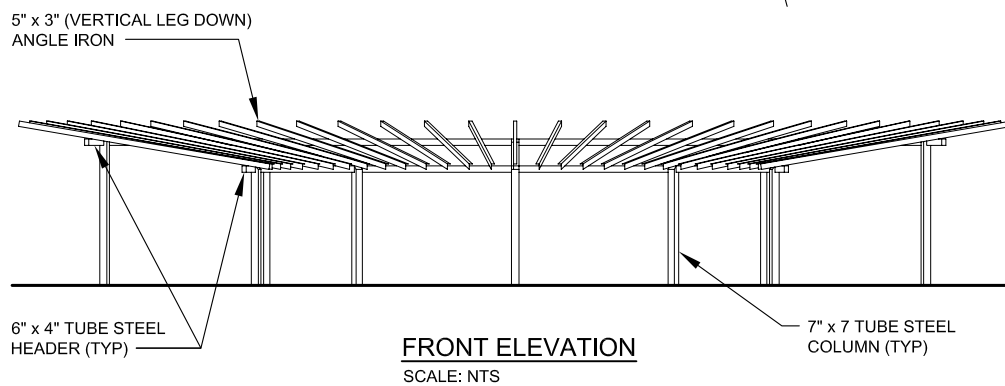
Hardware: All structural hardware provided and to be A-325.

Shop Drawing: The fabricator shall furnish a complete set of installation drawings.

Not Included: Concrete work of any kind, unloading of product and installation.



NOTE:
VARIOUS SIZED REBAR (AS SHOWN ON DESIGN DOCUMENTS BY OTHERS) SHALL BE PLACED AROUND COLUMNS AND ACROSS 5" x 3" ANGLE IRON WILL BE SUPPLIED AND WELDED IN FIELD BY OTHERS.



11800 East 9 Mile Road
Warren, MI 48089
Office: (586) 486-1088
Fax: (586) 754-9130
Toll Free: (800) 657-6118
Email: info@coverworx.net
www.CoverWorx.net

Steelworx Custom Radius Pergola - 20' x 104'

Custom Model

Palo Verde Park - Peoria, AZ