

Model: Steelworx Radius Pergola, 8' x 44'
Model # RP-0844-SW

Manufacturing Mission: To provide all prefabricated components and installation instructions for a free standing bolt together, tubular steel constructed kit.

Design Criteria: Structure is typically designed for a 25 lb live load and a 90 mph wind load capacity, but can be designed based on specific site requirements upon request. All structural members are ASTM A-500 U.S. grade B steel. Welded connection plates shall be ASTM A-36 hot rolled steel. All welding performed to latest AWS standards by ASTM Certified welders and provided in accordance to same. All framing connections are done using A325 grade bolts within concealed access openings when possible.

Tubular Steel Columns and Beams: Standard column dimension shall be 8" x 6" x 3/16" tubular steel welded to 5/8" base plates. Main support beams are 8" x 6" x 3/16" and 4" x 2" x 1/4" tube steel with 3" x 2" x 1/8" tube steel lattice. Steel sizes are preliminary and may change upon final engineering based on actual site conditions and load requirements.

Frame Finish: All steel framework will receive a corrosion protective TGIC Polyester powder coat, electro-statically applied and cured at 400°F. A large selection of standard colors are available.

Foundation: All columns need to be anchored to concrete footings (footing design provided separately). Columns can be surface mounted with anchor bolts at or below finish slab elevation or they can be embedded directly into the footing. Optional base plate covers are available at an additional cost.

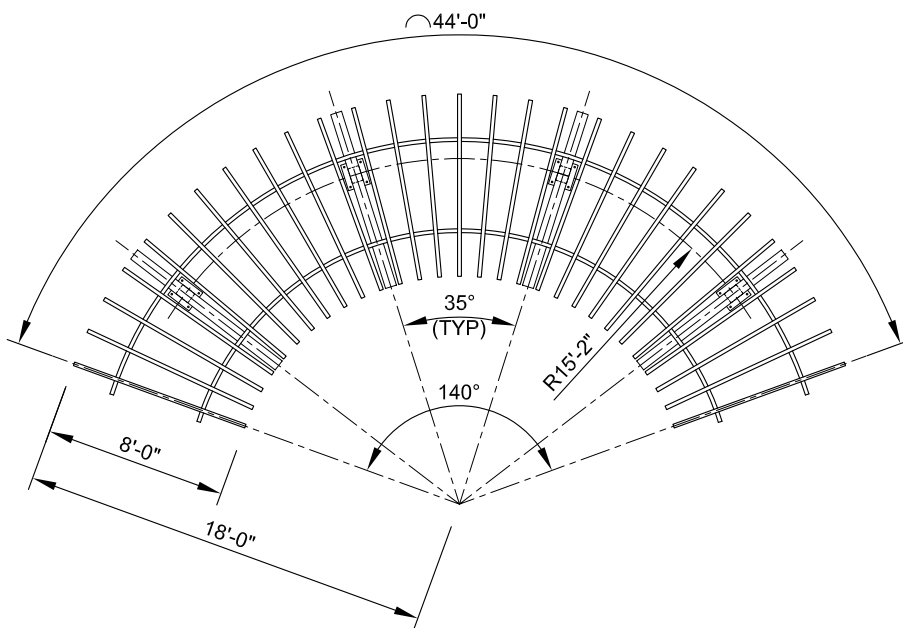
Hardware: All structural hardware and roofing fasteners shall be provided.

Warranty: 10 years against manufacturer defects.

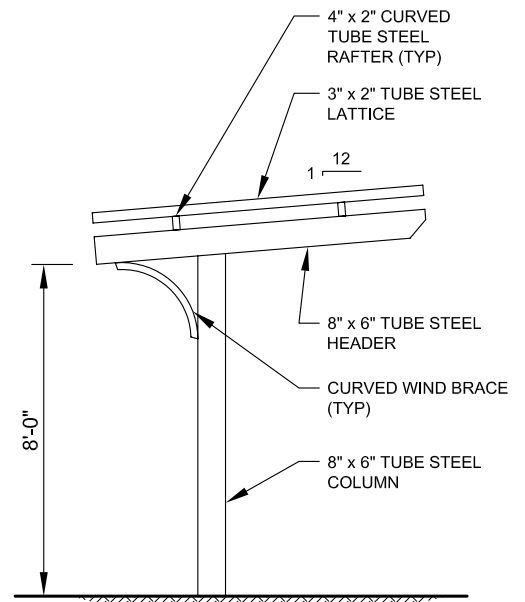
Not Included: Concrete work of any kind, unloading of product and installation.

Additional Options:

- Flexibility of Design
- Variety of Colors
- Column Style Variations
- Decorative End Styles



FRAMING PLAN
SCALE: NTS



SIDE ELEVATION
SCALE: NTS



11800 East 9 Mile Road
 Warren, MI 48089
 Office: (586) 486-1088
 Fax: (586) 754-9130
 Toll Free: (800) 657-6118
 Email: info@coverworx.net
 www.CoverWorx.net

Steelworx Radius Pergola - 8' x 44'

Model: RP-0844-SW

DESIGN SPECIFICATIONS