

**Model: Steelworx Single Post Square Shelter, 9'**  
**Model # SPSQ-9-SW**

**Manufacturing Mission:** To provide all prefabricated components and installation instructions for a 9' square (measured from eave to eave) free standing bolt together, tubular steel constructed shelter kit.

**Design Criteria:** Structure is typically designed for a 30 lb live load and a 100 mph wind load capacity. All structural members are ASTM A-500 U.S. grade B steel. Welded connection plates shall be ASTM A-36 hot rolled steel. All welding performed to latest AWS standards by ASTM Certified welders and provided in accordance to same.

**Tubular Steel Columns and Beams:** Standard column dimensions shall be 5" x 5" x 3/16" tubular steel welded to 5/8" base plate (footing design provided separately). Interior support beams are between 5" x 5" x 3/16" and 3" x 4" x 1/8". Economy Version (EV) of this shelter model for residential or less stringent design locations are available with smaller more economical member sizes.

**Roofing:** 24 Ga. pre-cut steel panels with Kynar 500 finish in a variety of colors with white underside. Standard roof slope is a 4/12 pitch with a eave height of 7'-8". Also available with 6/12 or 8/12 pitch roof. Alternate roofing materials include standing seam, asphalt shingles, cedar shake, or clay tile. Tongue & groove wood decking is also available.

**Frame Finish:** All steel framework will undergo a three step powder coat application that begins with welded raw steel being sand blasted to a white condition to eliminate contaminants and oils. Then a zinc-rich primer is applied and baked at 400°F, followed by a corrosion protective TGIC Polyester powder coat, electro-statically applied and cured at 400°F. A large selection of standard colors are available.

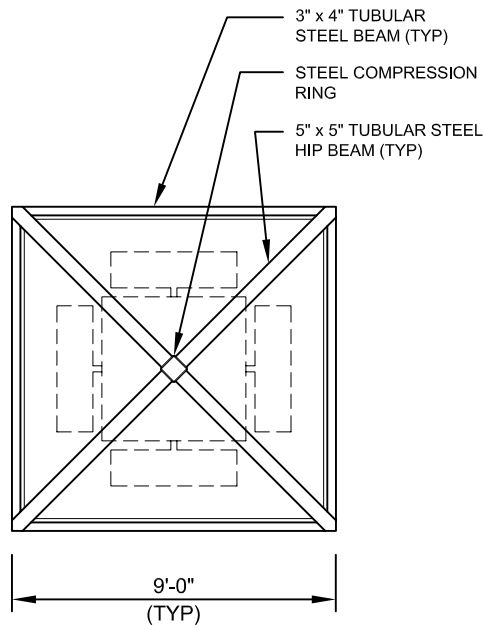
**Hardware:** All structural hardware provided and to be A-325 or B7 as required.

**Shop Drawing:** The fabricator shall furnish a complete set of installation drawings.

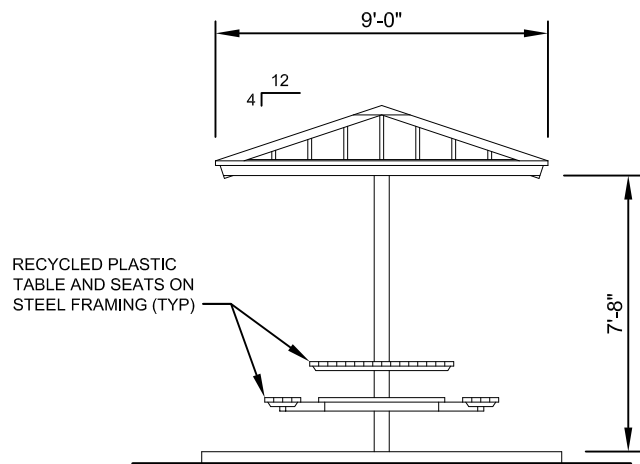
**Not Included:** Concrete work of any kind, unloading of product and installation.

**Additional Options:**

- Flexibility of Design
- Such as: Height and Pitch
- Additional Engineering
- Variety of Colors
- Decorative Railings, Lattice, Braces, Trim, etc.
- Cupolas and Rooftop Accs.
- Column Style Variations
- Lexan Wind Screens
- Standing Seam Roofing
- Composite Finished Ceiling
- Solar Panels & Solar Lighting
- Site Furnishings and Accs.



**FRAMING PLAN**  
 SCALE: 3/16" = 1'-0"



**ELEVATION**  
 SCALE: 3/16" = 1'-0"



11800 East 9 Mile Road  
 Warren, MI 48089  
 Office: (586) 486-1088  
 Fax: (586) 754-9130  
 Toll Free: (800) 657-6118  
 Email: info@coverworx.net  
 www.CoverWorx.net

**Steelworx Single Post Square Shelter - 9'**

**Model: SPSQ-9-SW**

**DESIGN SPECIFICATIONS**