

CARPORT SPECIFICATIONS

DESIGN CRITERIA:

SNOW LOAD: 25 PSF
WIND LOAD: 95 MPH

COLUMNS: 3/16" THICK ASTM A-500 GRADE B TUBULAR STEEL (46 KSI). PRIMED WITH RUST PROHIBITIVE FINISH.

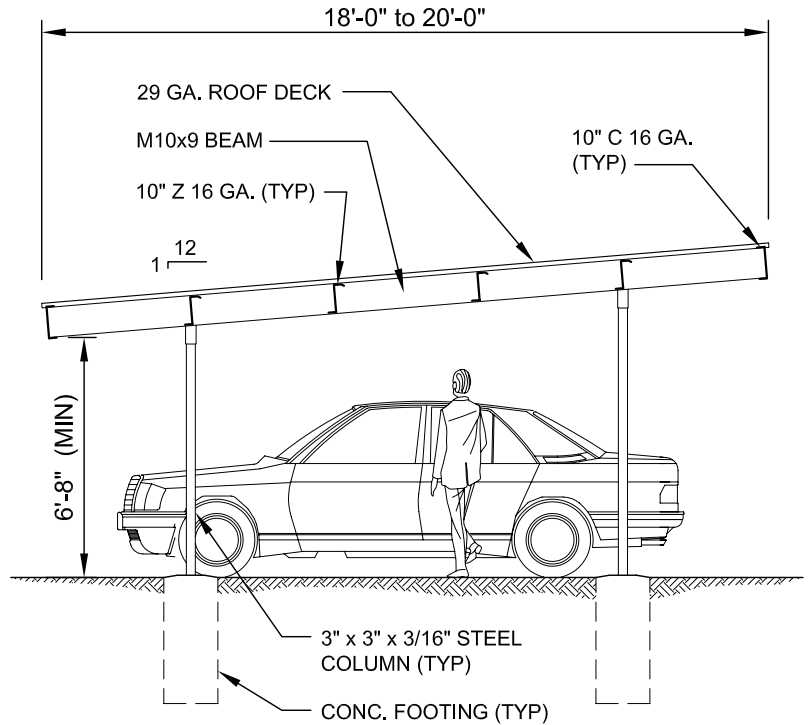
BEAMS: 10" DEEP A-992 GRADE 50 STEEL. PRIMED WITH RUST PROHIBITIVE FINISH.

PURLINS: 16 GA. COLD ROLL GALVANIZED STEEL.

ROOF: ROLLFORMED 29 GAUGE PROFILED STEEL PANELS WITH KYNAR 500 FACTORY APPLIED FINISH IN A VARIETY OF COLORS WITH WHITE UNDERSIDE. ATTACHED TO PURLINS AND BEAMS WITH ZINC PLATED CARBON STEEL SCREWS WITH METAL AND NEOPRENE WASHERS.

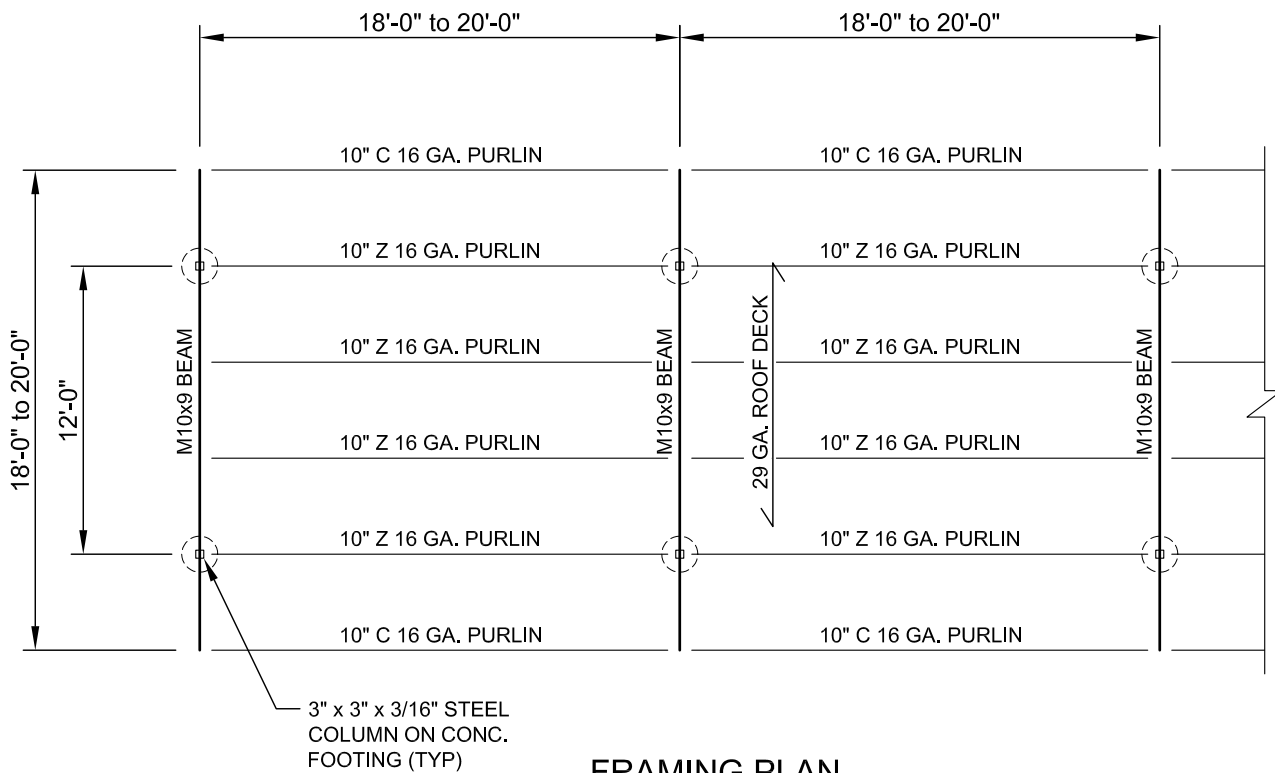
AVAILABLE OPTIONS:

- CUSTOMIZED COLUMN SPACING & ROOF PITCH
- SITE SPECIFIC LAYOUTS
- TGIC POLYESTER POWDER COAT
- STANDING SEAM ROOFING
- END PANELS
- GARAGEPORTS
- FULL SOFFIT UNDERSIDE
- SOLAR PANELS & LIGHTING



CROSS SECTION

SCALE: 3/16" = 1'-0"



FRAMING PLAN

SCALE: 1/8" = 1'-0"



11800 East 9 Mile Road
Warren, MI 48089
Office: (586) 486-1088
Fax: (586) 754-9130
Toll Free: (800) 657-6118
Email: info@coverworx.net
www.CoverWorx.net

SINGLE SLOPE CARPORT