

Model: Steelworx Sunburst Gable Shelter, 38' x 45'
Model # GA-3845-SB-SW

Manufacturing Mission: To provide all prefabricated components and installation instructions for a 38' wide (measured from eave to eave) by 45' long free standing bolt together, tubular steel constructed shelter kit.

Design Criteria: Structure is typically designed for a 25 lb live load and a 90 mph wind load capacity, but can be designed based on specific site requirements upon request . All structural members are ASTM A-500 U.S. grade B steel. Welded connection plates shall be ASTM A-36 hot rolled steel. All welding performed to latest AWS standards by ASTM Certified welders and provided in accordance to same.

Tubular Steel Framing: Column dimensions shall be 10" x 8" x 3/16" tubular steel welded to 5/8" base plates. Main support rafter beams shall be 12" x 6" x 3/16" and purlins are 7" x 4" x 3/16". Gable end ornamentation shall feature an 10" x 4" x 3/16" horizontal beam and 8" x 4" x 3/16" tubular steel vertical and diagonal members. All bolted connections will be done through access openings from above and will later be concealed by the roofing. All roof framing shall be flush against the roof decking to eliminate the possibility of bird nesting. Steel sizes are preliminary and may change upon final engineering based on actual site conditions and load requirements.

Roof Deck (Optional): 2" x 6" (nominal) #1 Grade, end matched, single tongue and groove with V-joint bottom face, kiln-dried, to an average of 15% moisture content, Southern Yellow Pine

Roofing: 24 Ga. pre-cut steel panels with Kynar 500 finish in a variety of colors with white underside. Roof slope shall be a 5/12 pitch with a eave height of 10'-3". Attached to wood decking with exposed self tapping screws painted to match roof. Also available with standing seam steel panels.

Frame Finish: All steel framework will receive a corrosion protective TGIC Polyester powder coat, electro-statically applied and cured at 400°F. A large selection of standard colors are available.

Foundation: All columns need to be anchored to concrete footings (footing design provided separately). Columns shall be surface mounted with anchor bolts at or below finish slab elevation. Optional base plate covers are available at an additional cost.

Hardware: All structural hardware provided and to be A-325.

Shop Drawing: The fabricator shall furnish a complete set of installation drawings.

Warranty: 10 years against manufacturer defects.

Not Included: Concrete or masonry work of any kind, roofing, unloading of product and installation.

Additional Options:

- Flexibility of Design
Such as: Height and Pitch
- Additional Engineering
- Variety of Colors
- Decorative Railings, Lattice, Braces, Trim, etc.
- Cupolas and Rooftop Accs.
- Column Style Variations
- Provisions for Electrical
- Lexan Wind Screens
- Tongue & Groove Roof Decking
- Asphalt Shingles, Standing Seam, Cedar Shake, or Clay Tile Roofing
- Composite Finished Ceiling
- Solar Panels & Solar Lighting
- Site Furnishings and Accs.

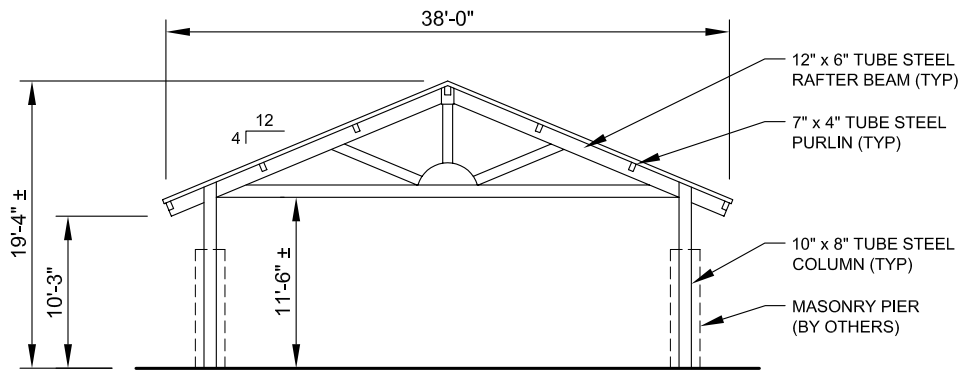


11800 East 9 Mile Road
Warren, MI 48089
Office: (586) 486-1088
Fax: (586) 754-9130
Toll Free: (800) 657-6118
Email: info@coverworx.net
www.CoverWorx.net

Steelworx Sunburst Gable Shelter - 38' x 45'

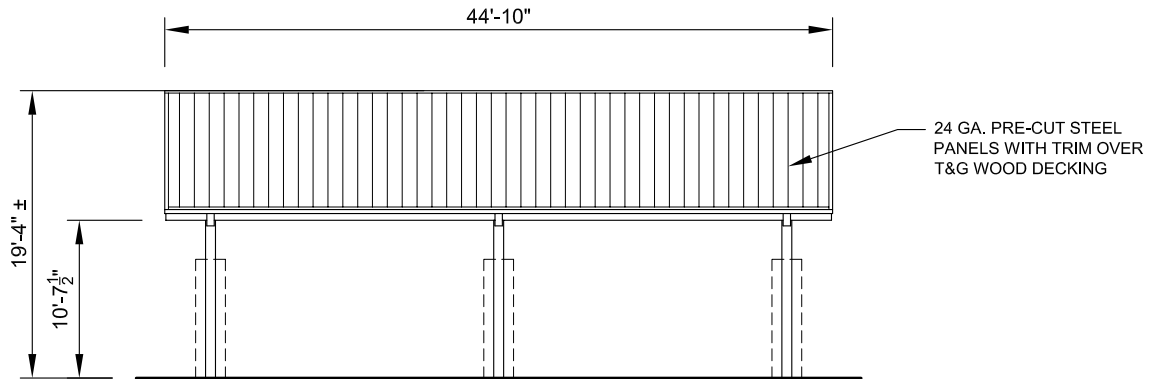
Mode: GA-3845-SB-SW

DESIGN SPECIFICATIONS



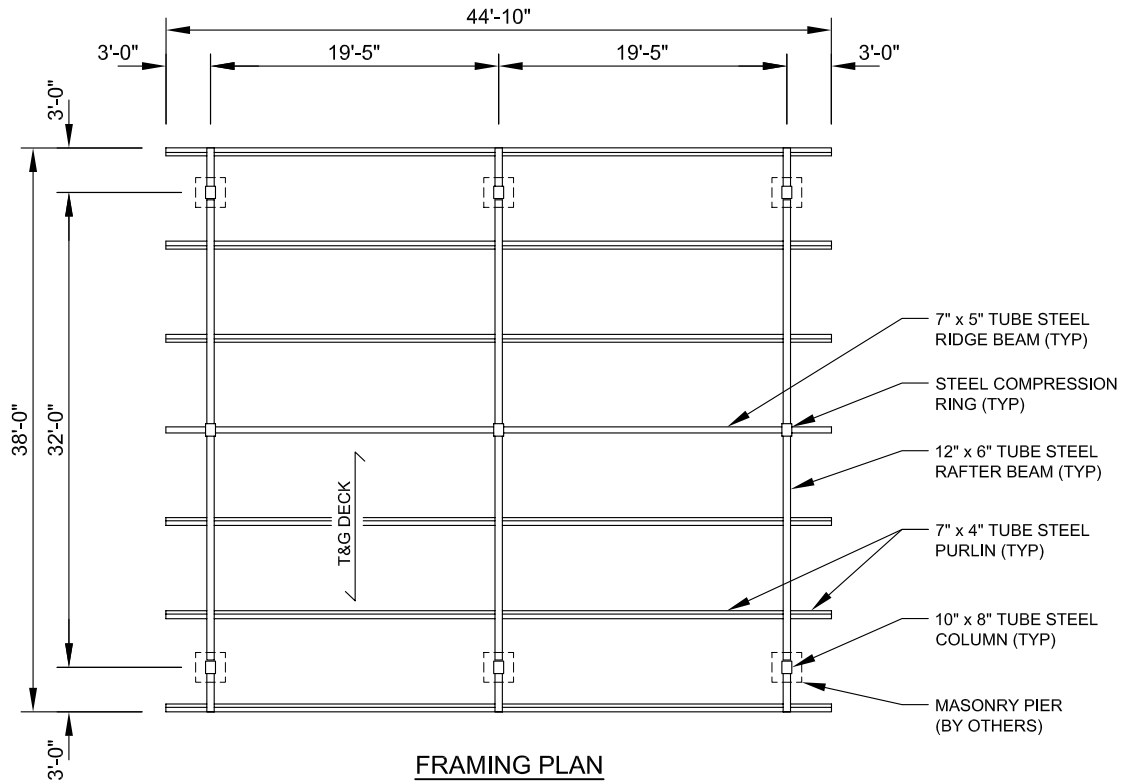
FRONT ELEVATION

SCALE: NTS



SIDE ELEVATION

SCALE: NTS



FRAMING PLAN

SCALE: NTS



11800 East 9 Mile Road
 Warren, MI 48089
 Office: (586) 486-1088
 Fax: (586) 754-9130
 Toll Free: (800) 657-6118
 Email: info@coverworx.net
 www.CoverWorx.net

Steelworx Sunburst Gable Shelter - 38' x 45'

Mode: GA-3845-SB-SW

DESIGN SPECIFICATIONS