

**Model: Steelworx Trellis, 15' x 15'**  
**Model # T-1515-SW**

**Manufacturing Mission:** To provide all prefabricated components and installation instructions for a free standing bolt together, tubular steel constructed kit.

**Design Criteria:** Structure is typically designed for a 25 lb live load and a 90 mph wind load capacity, but can be designed based on specific site requirements upon request. All structural members are ASTM A-500 U.S. grade B steel. Welded connection plates shall be ASTM A-36 hot rolled steel. All welding performed to latest AWS standards by ASTM Certified welders and provided in accordance to same.

**Tubular Steel Columns and Beams:** Columns shall be 6" x 6" x 3/16" tubular steel directly embedded into concrete footings (footing design provided separately). Standard header beam dimensions shall be 8" x 2" x 3/16" and lattice shall be 4" x 2" 1/8". Economy Version (EV) of this shelter model is also available.

**Frame Finish:** All steel framework will undergo a three step powder coat application that begins with welded raw steel being sand blasted to a white condition to eliminate contaminants and oils. Then a zinc-rich primer is applied and baked at 400°F, followed by a corrosion protective TGIC Polyester powder coat, electro-statically applied and cured at 400°F. A large selection of standard colors are available.

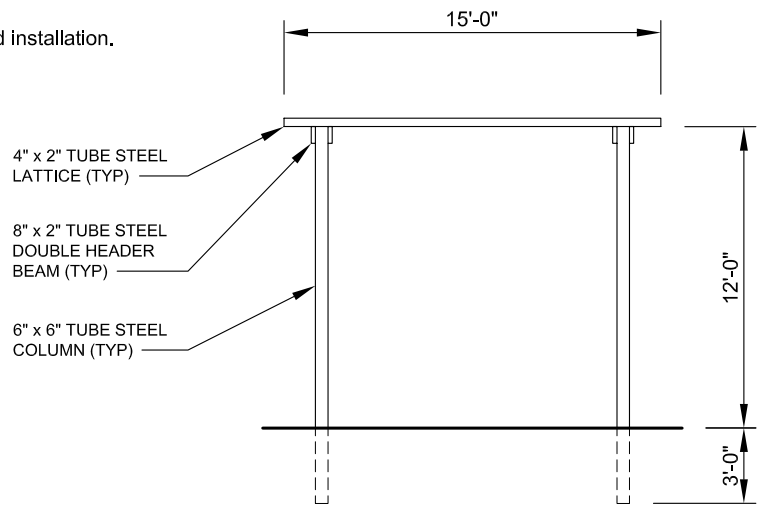
**Hardware:** All structural hardware provided and to be A-325.

**Shop Drawing:** The fabricator shall furnish a complete set of installation drawings.

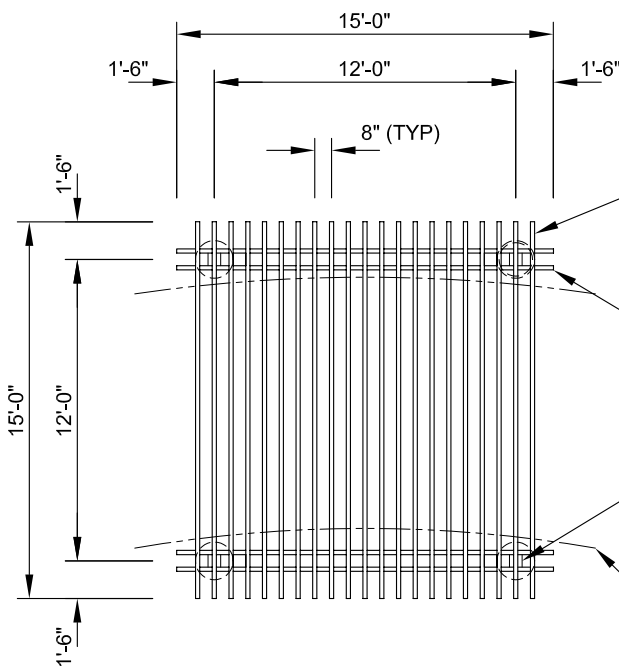
**Not Included:** Concrete work of any kind, unloading of product and installation.

**Additional Options:**

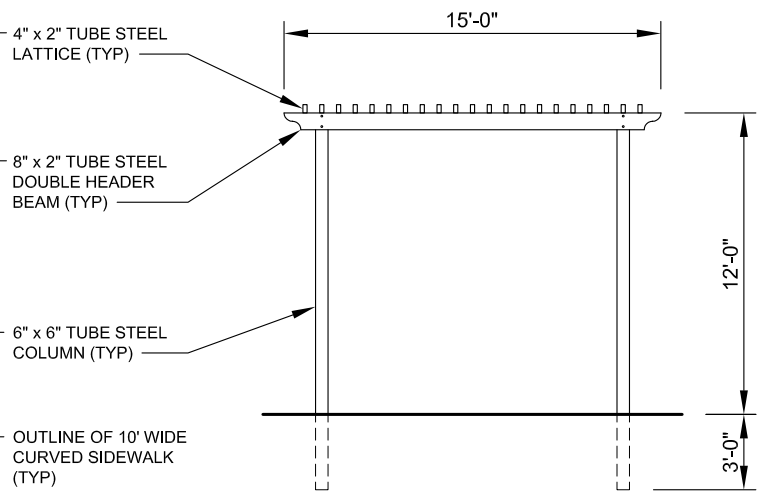
- Flexibility of Design
- Variety of Colors
- Column Style Variations
- Decorative End Styles



**SIDE ELEVATION**  
SCALE: NTS



**FRAMING PLAN**  
SCALE: NTS



**FRONT ELEVATION**  
SCALE: NTS



11800 East 9 Mile Road  
 Warren, MI 48089  
 Office: (586) 486-1088  
 Fax: (586) 754-9130  
 Toll Free: (800) 657-6118  
 Email: info@coverworx.net  
 www.CoverWorx.net

**Steelworx Trellis - 15' x 15'**

**Model: T-1515-SW**

**DESIGN SPECIFICATIONS**