

Model: Steelworx Cantilevered Dugout, 18' x 32'
Model # CD-1832-SW

Manufacturing Mission: To provide all prefabricated components and installation instructions for a 32' long (measured from eave to eave) by 18' cantilevered free standing bolt together, tubular steel constructed shelter kit.

Design Criteria: Structure is typically designed for a 25 lb live load and a 90 mph wind load capacity, but can be designed based on specific site requirements upon request . All structural members are ASTM A-500 U.S. grade B steel. Welded connection plates shall be ASTM A-36 hot rolled steel. All welding performed to latest AWS standards by ASTM Certified welders and provided in accordance to same.

Tubular Steel Columns and Beams: Standard column dimension shall be 12" x 6" tubular steel welded to 5/8" base plates. Main support beams are 12" x 6" and purlins are 5" x 3". All framing connections are done using A325 grade bolts within concealed access openings from above and will later be concealed by the roofing. All roof framing shall be flush against the roof decking to eliminate the possibility of bird nesting. Steel sizes are preliminary and may change upon final engineering based on actual site conditions and load requirements (site specific engineering shall be an additional cost).

Roofing: 24 Ga. pre-cut Multi-Rib steel panels with Kynar 500 finish in a variety of colors with white underside. Standard roof slope is a 1/12 pitch with a eave height of 8'-0". Attached to structural framing with engineered strength self tapping screws painted to match roof.

Frame Finish: All steel framework will receive a corrosion protective TGIC Polyester powder coat, electro-statically applied and cured at 400°F. A large selection of standard colors are available.

Foundation: All columns need to be anchored to concrete footings (footing design provided separately). Columns can be surface mounted with anchor bolts at or below finish slab elevation or they can be embedded directly into the footing. Optional base plate covers are available at an additional cost.

Hardware: All structural hardware and roofing fasteners shall be provided.

Warranty: 10 years against manufacturer defects.

Not Included: Concrete work of any kind, unloading of product and installation.

Additional Options:

- Flexibility of Design
- Provisions for Electrical
- Such as: Height and Pitch
- Column Style Variations
- Additional Engineering
- Lexan Wind Screens
- Variety of Colors
- Standing Seam Roofing
- Decorative Railings, Lattice, Braces, Trim, etc.
- Composite Finished Ceiling
- Solar Panels & Solar Lighting
- Cupolas and Rooftop Accs.
- Site Furnishings and Accs.

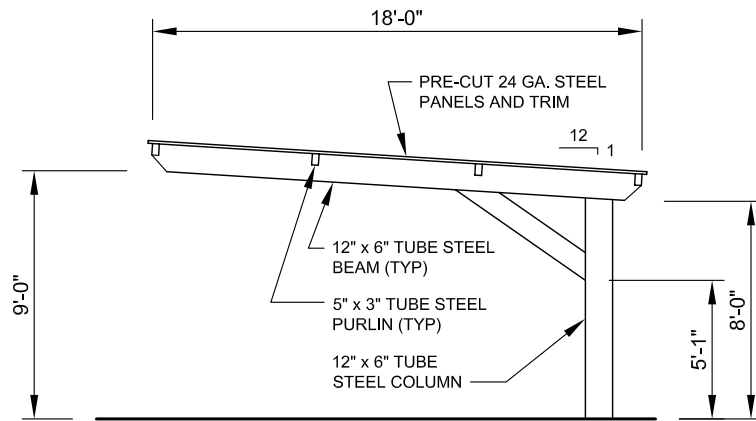


11800 East 9 Mile Road
Warren, MI 48089
Office: (586) 486-1088
Fax: (586) 754-9130
Toll Free: (800) 657-6118
Email: info@coverworx.net
www.CoverWorx.net

Steelworx Cantilevered Dugout - 18' x 32'

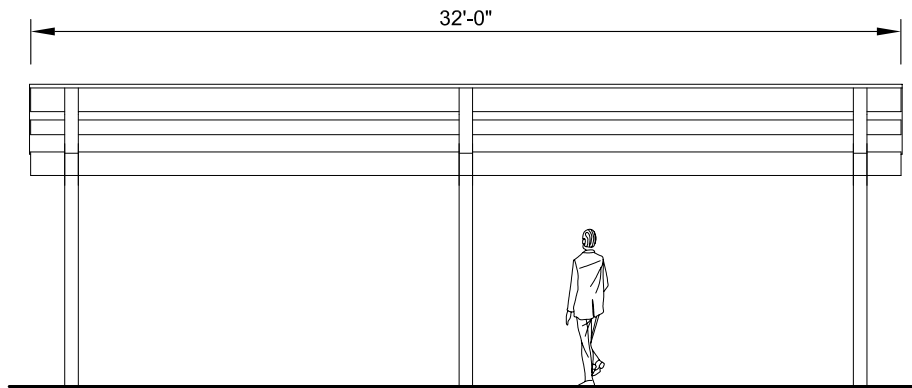
Model: CD-1832-SW

DESIGN SPECIFICATIONS



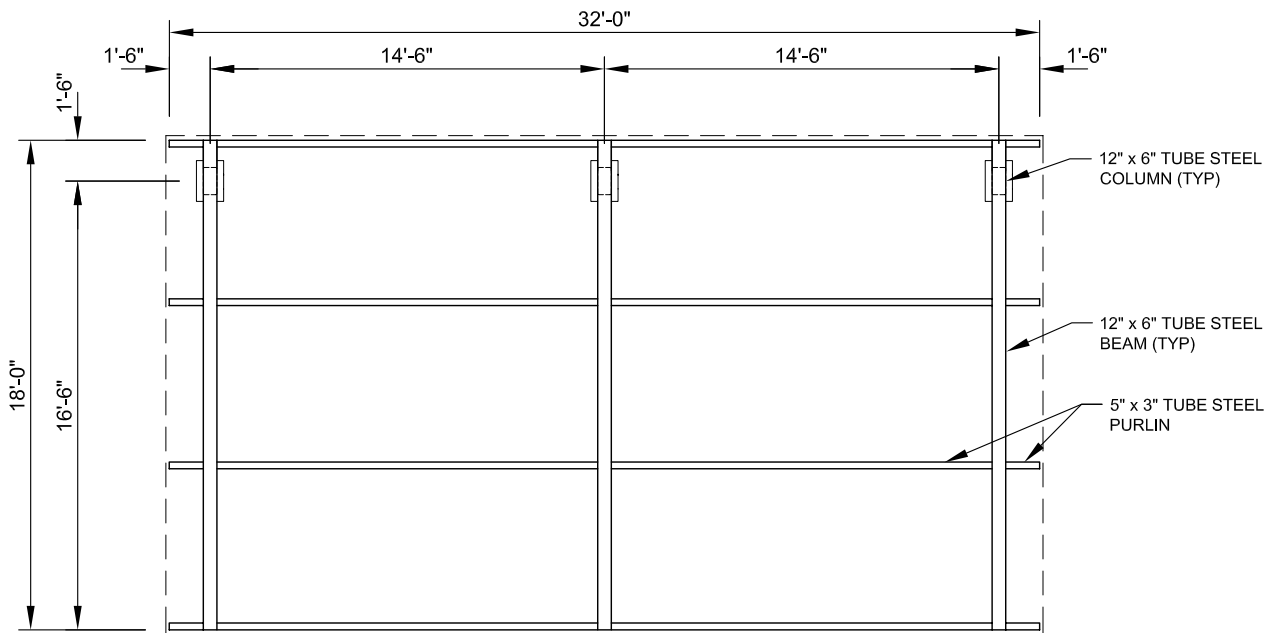
CROSS SECTION

SCALE: NTS



FRONT ELEVATION

SCALE: NTS



FRAMING PLAN

SCALE: NTS

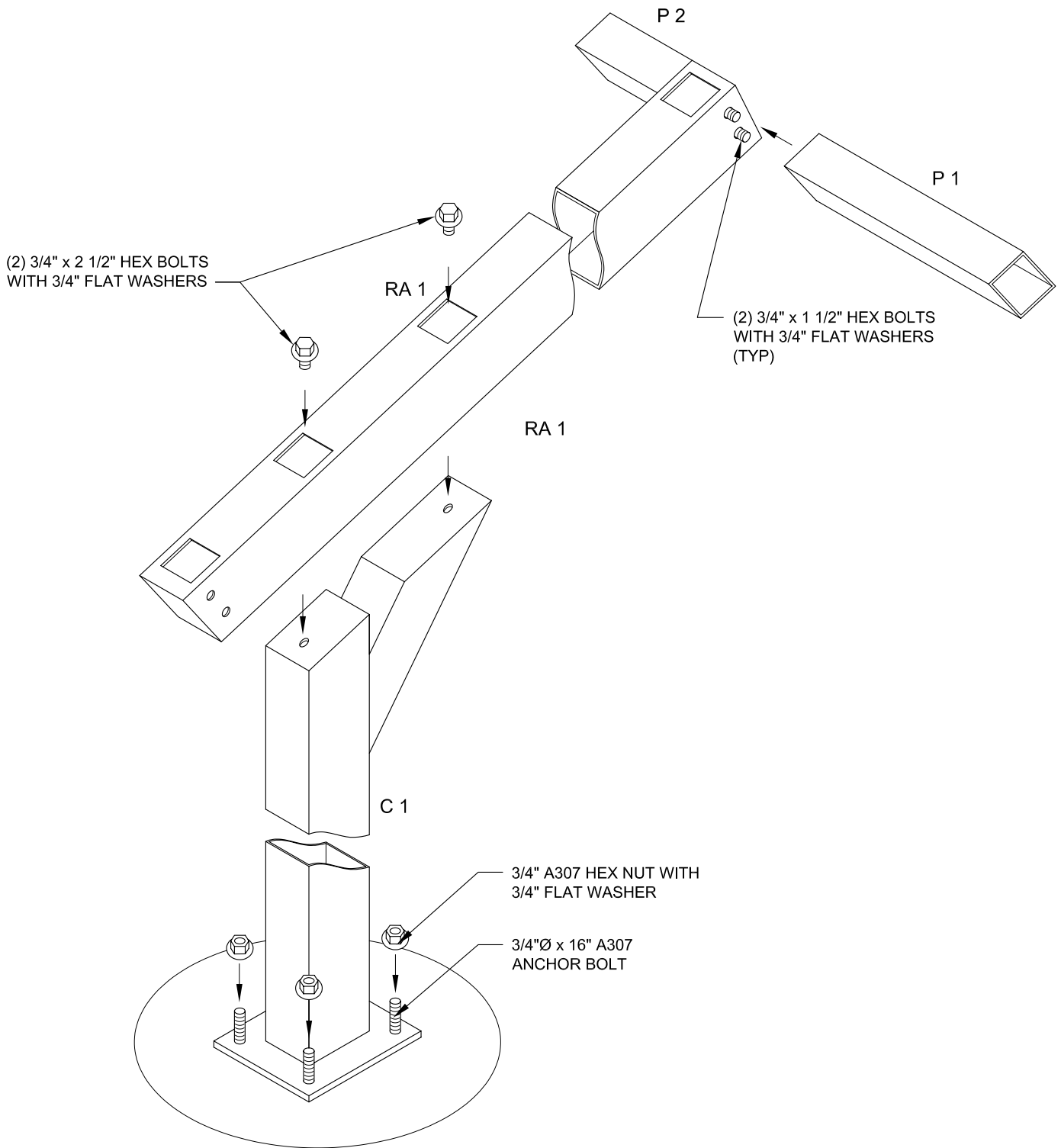


11800 East 9 Mile Road
 Warren, MI 48089
 Office: (586) 486-1088
 Fax: (586) 754-9130
 Toll Free: (800) 657-6118
 Email: info@coverworx.net
 www.CoverWorx.net

Steelworx Cantilevered Dugout - 18' x 32'

Model: CD-1832-SW

DESIGN SPECIFICATIONS



TYPICAL CONNECTION DETAIL
SCALE: NTS

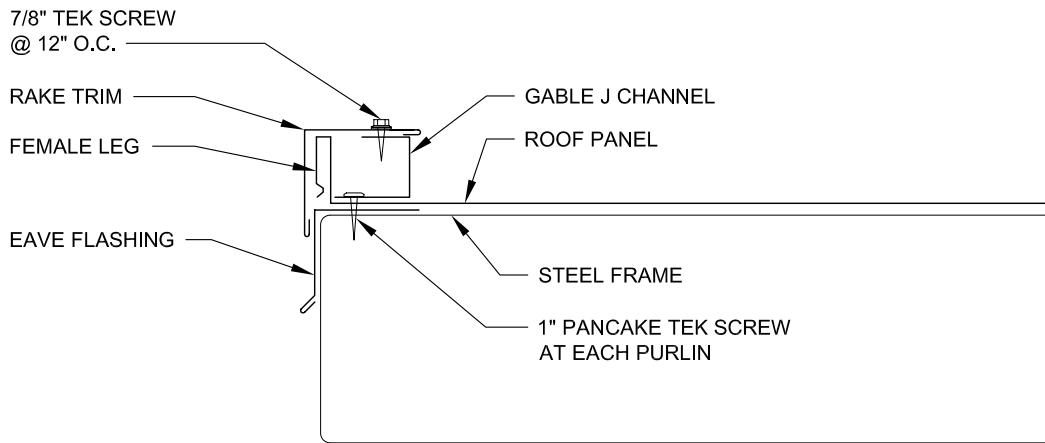


11800 East 9 Mile Road
Warren, MI 48089
Office: (586) 486-1088
Fax: (586) 754-9130
Toll Free: (800) 657-6118
Email: info@coverworx.net
www.CoverWorx.net

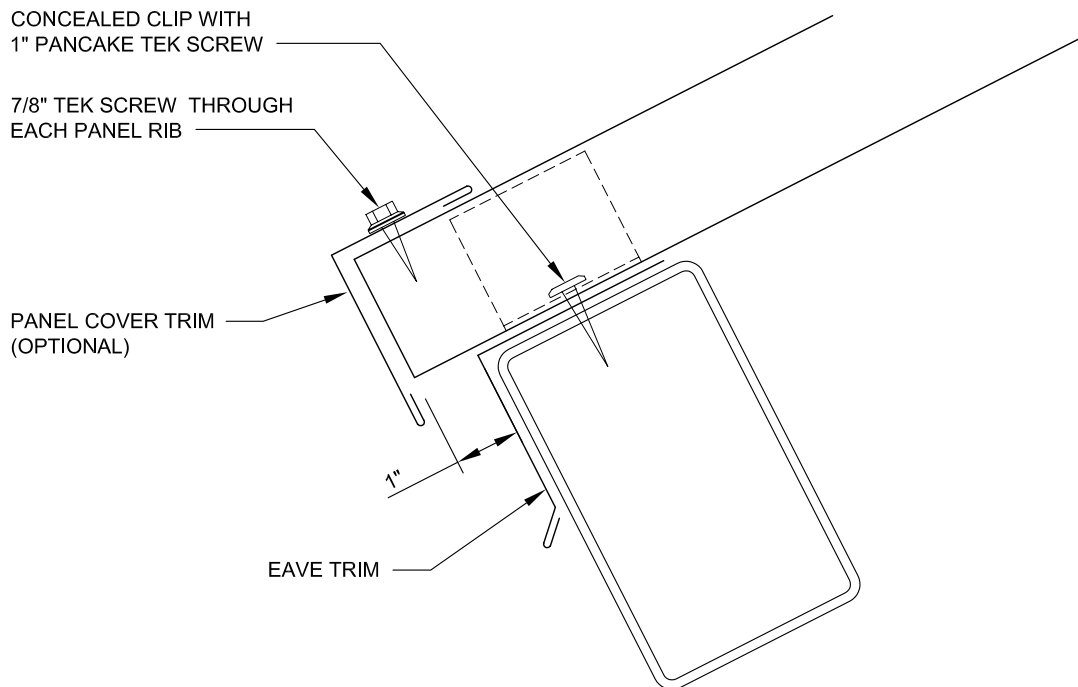
Steelworx Cantilevered Dugout - 18' x 32'

Model: CD-1832-SW

DESIGN SPECIFICATIONS



RAKE END DETAIL
SCALE: NTS



EAVE END DETAIL
SCALE: NTS



11800 East 9 Mile Road
Warren, MI 48089
Office: (586) 486-1088
Fax: (586) 754-9130
Toll Free: (800) 657-6118
Email: info@coverworx.net
www.CoverWorx.net

Steelworx Cantilevered Dugout - 18' x 32'

Model: CD-1832-SW

DESIGN SPECIFICATIONS