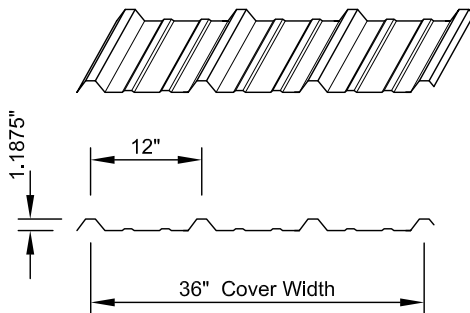


Multi-Rib EXPOSED FASTENER PANEL

Standard:

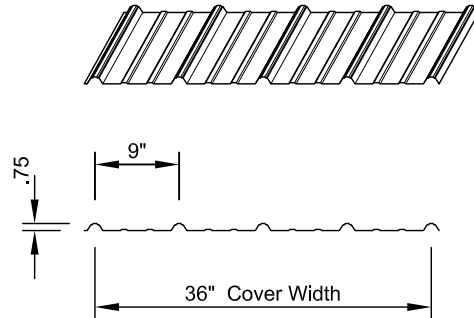
- Panel Width: 36"
- Substrate: Galvalume
- Gauge: 24 Gauge steel on open framing, or 26 gauge on solid substrate.
- Exterior Finish: Kynar 500 coating in 16 varieties of color.



Max-Rib EXPOSED FASTENER PANEL

Standard:

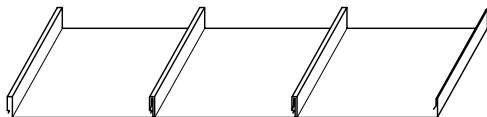
- Panel Width: 36"
- Substrate: Galvalume
- Gauge: 26 Gauge steel on open framing, or 29 gauge on solid substrate.
- Exterior Finish: Kynar 500 coating in 16 varieties of color.



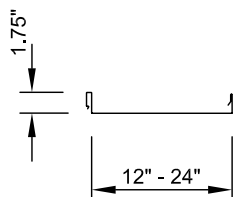
MB-2000 STANDING SEAM SYSTEM

Standard:

- Panel Width: 12" - 24"
- Substrate: Galvalume
- Gauge: 24 Gauge steel on open framing, or 26 Gauge solid substrate.
- Exterior Finish: Kynar 500 coating in 16 varieties of color.



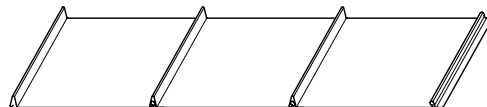
Three interlocked panels shown



MB-3000 STANDING SEAM SYSTEM

Standard:

- Panel Width: 12"
- Substrate: Galvalume
- Gauge: 26 Gauge steel on solid substrate only.
- Exterior Finish: Kynar 500 coating in 16 varieties of color.



Three interlocked panels shown

