

Model: Steelworx Architectural Gable Shelter, 28' x 28'

Manufacturing Mission: To provide all prefabricated components and installation instructions for a 28' wide (measured from eave to eave) by 28' long free standing bolt together, tubular steel constructed shelter kit.

Design Criteria: Structure is typically designed for a 35 lb live load and a 90 mph wind load capacity. All structural members are ASTM A-500 U.S. grade B steel. Welded connection plates shall be ASTM A-36 hot rolled steel. All welding performed to latest AWS standards by ASTM Certified welders and provided in accordance to same.

Tubular Steel Framing: Column dimensions shall be 8" x 8" tubular steel welded to 5/8" base plate (footing design provided separately). Main support rafter beams shall be 10" x 5" and purlins are 6" x 4". Gable end ornamentation shall feature an 8" x 2" horizontal beam bolted to the columns and a 6" x 2" tubular steel sunburst pattern factory welded and bolted to the bottom of the main rafter beams and to the top of the horizontal beam. All bolted connections will be done through access openings from above and will later be concealed by the roofing. All roof framing shall be flush against the roof decking to eliminate the possibility of bird nesting. Steel sizes are preliminary and may change upon final engineering based on actual site conditions and load requirements.

Roofing: Shall not be included with this shelter kit. Steel framing shall be designed to support 2" x 6" T&G wood decking with clay tile roofing. Contractor shall provide all roofing material, associated hardware and install per those manufacturer's recommendations.

Frame Finish: All steel framework will receive a corrosion protective TGIC Polyester powder coat, electro-statically applied and cured at 400°F. A large selection of standard colors are available.

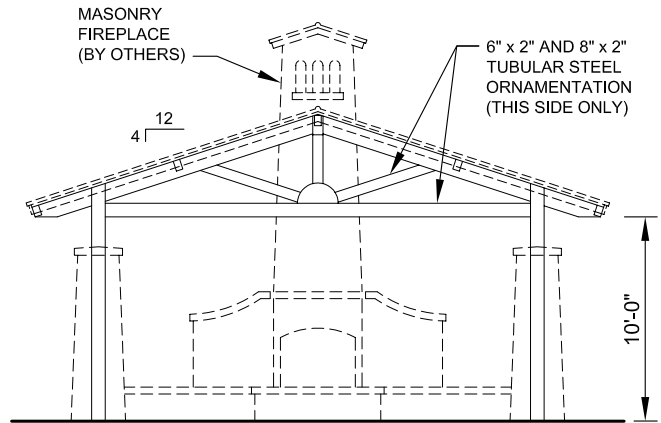
Foundation: All columns need to be anchored to concrete footings. Columns shall be surface mounted with anchor bolts at or below finish slab elevation. Optional base plate covers are available at an additional cost.

Hardware: All structural hardware provided and to be A-325.

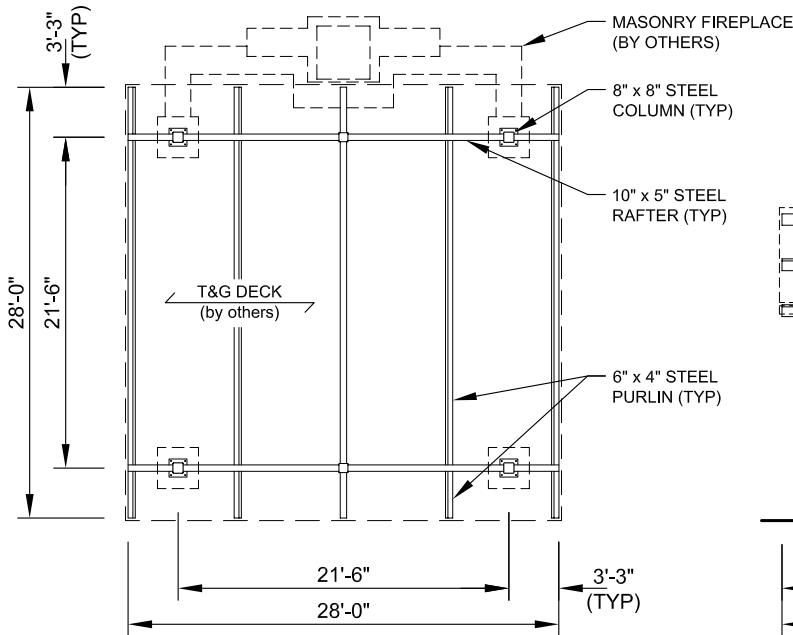
Shop Drawing: The fabricator shall furnish a complete set of installation drawings.

Warranty: 10 years against manufacturer defects.

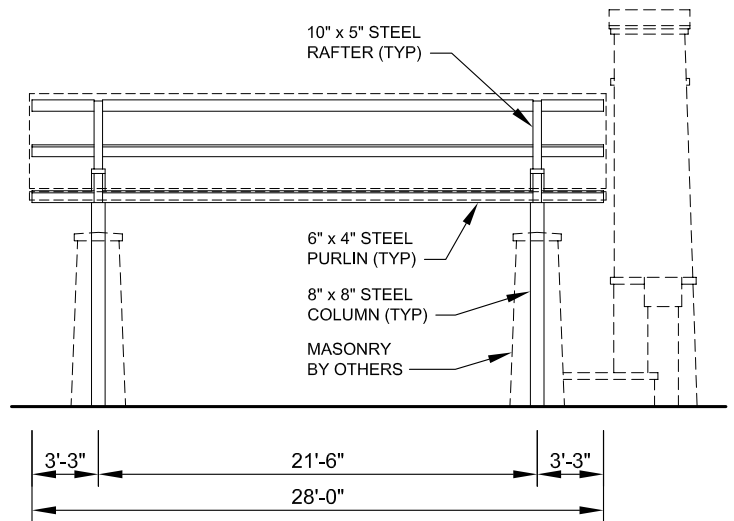
Not Included: Concrete or masonry work of any kind, roofing, unloading of product and installation.



FRONT ELEVATION
SCALE: NTS



FRAMING PLAN
SCALE: NTS



SIDE ELEVATION
SCALE: NTS



11800 East 9 Mile Road
Warren, MI 48089
Office: (586) 486-1088
Fax: (586) 754-9130
Toll Free: (800) 657-6118
Email: info@coverworx.net
www.CoverWorx.net

Steelworx Architectural Gable Shelter - 28' x 28'

Custom Model

DESIGN SPECIFICATIONS