

## Model: Steelworx 3 Post Kiosk

**Manufacturing Mission:** To provide all prefabricated components and installation instructions for a 3 panel, 3 post, free standing bolt together, tubular steel constructed kiosk kit.

**Design Criteria:** Structure is typically designed for a 25 lb live load and a 90 mph wind load capacity, but can be designed based on specific site requirements upon request. All structural members are ASTM A-500 U.S. grade B steel. Welded connection plates shall be ASTM A-36 hot rolled steel. All welding performed to latest AWS standards by ASTM Certified welders and provided in accordance to same.

**Tubular Steel Columns and Beams:** Standard column dimension shall be 5" x 5" x 1/8" tubular steel welded to 5/8" base plate. Steel sizes are preliminary and may change due to ongoing review and final engineering.

**Display Case:** 3'-0" wide x 4'-0" high powder coated aluminum case with locking acrylic door and cork board interior. Also available with marine grade plywood display boards.

**Frame Finish:** All steel framework will receive a corrosion protective TGIC Polyester powder coat, electro-statically applied and cured at 400°F. A large selection of standard colors are available.

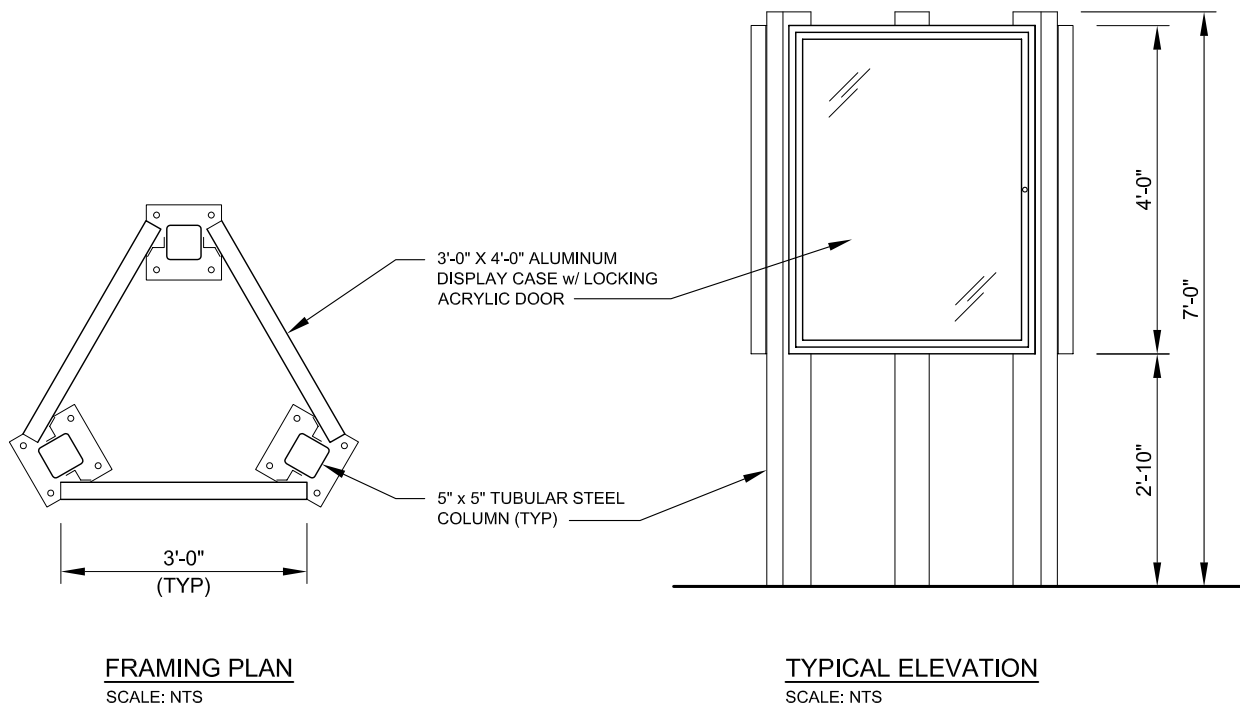
**Foundation:** All columns need to be anchored to concrete footings (footing design provided separately). Columns can be surface mounted with anchor bolts at or below finish slab elevation or they can be embedded directly into the footing.

**Hardware:** All structural and mounting hardware shall be provided.

**Warranty:** 10 years against manufacturer defects.

**Not Included:** Concrete work of any kind, unloading of product and installation.

**Additional Options:** Refer to the current Coverworx catalog or visit [www.Coverworx.net](http://www.Coverworx.net) for the latest available options and upgrades.



11800 East 9 Mile Road  
Warren, MI 48089  
Office: (586) 486-1088  
Fax: (586) 754-9130  
Toll Free: (800) 657-6118  
Email: [info@coverworx.net](mailto:info@coverworx.net)  
[www.CoverWorx.net](http://www.CoverWorx.net)

Steelworx 3 Post Kiosk

Model: K-03-SW-3P

DESIGN SPECIFICATIONS