

Model: Steelworx Monoslope Shelter, 24' x 24' **Model # MO-2424-SW-312**

Manufacturing Mission: To provide all prefabricated components and installation instructions for a 24' wide by 24' long (measured from eave to eave) free standing bolt together, tubular steel constructed shelter kit.

Design Criteria: Structure shall be designed for a 20 lb live load and a 120 mph wind load capacity. All structural members are ASTM A-500 U.S. grade B steel. Welded connection plates shall be ASTM A-36 hot rolled steel. All fabrication performed to latest AISC standards by AWS Certified welders. All framing connections are done using A325 grade bolts within concealed access openings from above and will later be concealed by the roofing. All roof framing shall be flush against the roof decking to eliminate the possibility of bird nesting.

Tubular Steel Columns and Beams: Standard column dimension shall be 6" x 6" x 3/16" tubular steel welded to 5/8" base plates for surface mounting. Main support beams are 10" x 6" x 3/16" and purlins are 6" x 4" x 1/8". Steel sizes are preliminary and are subject to change due to ongoing review and final engineering.

Roofing: 24 Ga. pre-cut steel Multi-Rib panels with Kynar 500 finish in a variety of colors with white underside. Standard roof slope is a 3/12 pitch with a eave height of 11'-3". Attached to structural framing with concealed clips and self tapping screws. Matching 24 Ga. trim is included.

Frame Finish: All steel framework will receive a corrosion protective TGIC Polyester powder coat, electro-statically applied and cured at 400°F. A large selection of standard colors are available.

Foundation: All columns need to be anchored to concrete footings (footing design provided separately). Columns can be surface mounted to footings with anchor bolts at or below finish slab elevation or they can be embedded directly into the footing without base plates upon request. Anchor bolts and bracing templates are included. Optional base plate covers are available at an additional cost.

Hardware: All structural hardware and roofing fasteners shall be provided.

Warranty: 10 years against manufacturer defects.

Not Included: Concrete work of any kind, unloading of product and installation.

Additional Options:

- Flexibility of Design
Such as: Height and Pitch
- Additional Engineering
- Variety of Colors
- Decorative Railings, Lattice, Braces, Trim, etc.
- Cupolas and Rooftop Accs.
- Provisions for Electrical
- Column Style Variations
- Lexan Wind Screens
- Standing Seam Roofing
- Composite Finished Ceiling
- Solar Panels & Solar Lighting
- Site Furnishings and Accs.

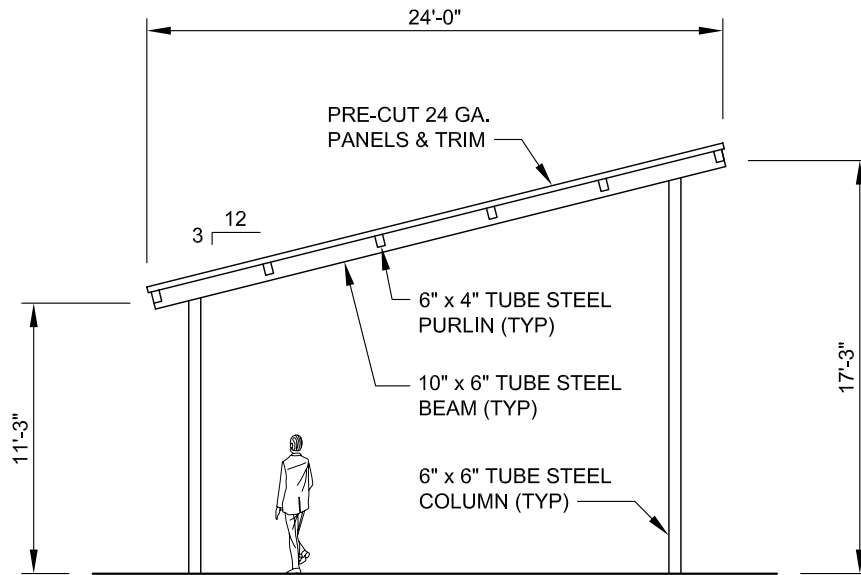


11800 East 9 Mile Road
Warren, MI 48089
Office: (586) 486-1088
Fax: (586) 754-9130
Toll Free: (800) 657-6118
Email: info@coverworx.net
www.CoverWorx.net

Steelworx Monoslope Shelter - 24' x 24'

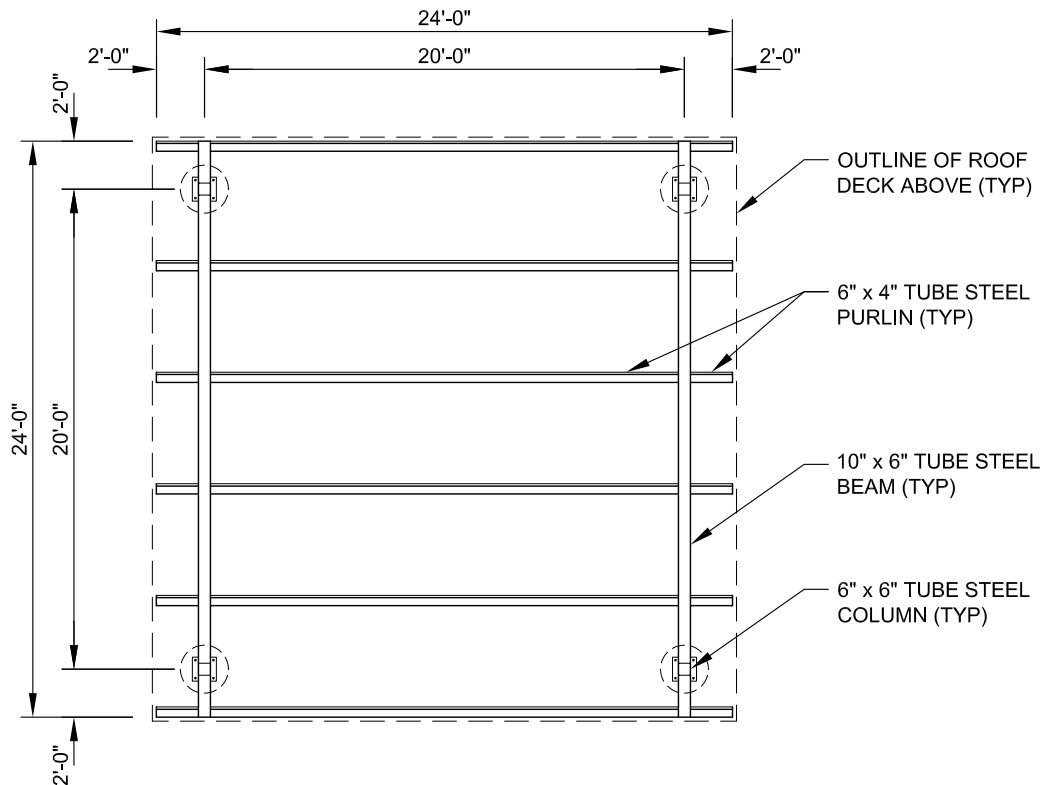
Model: MO-2424-SW-312

DESIGN SPECIFICATIONS



SIDE ELEVATION

SCALE: 1/8" = 1'-0"



FRAMING PLAN

SCALE: 1/8" = 1'-0"



11800 East 9 Mile Road
 Warren, MI 48089
 Office: (586) 486-1088
 Fax: (586) 754-9130
 Toll Free: (800) 657-6118
 Email: info@coverworx.net
 www.CoverWorx.net

Steelworx Monoslope Shelter - 24' x 24'

Model: MO-2424-SW-312

DESIGN SPECIFICATIONS