

Model: Steelworx Octagonal Gazebo, 10'
Model # OCGZ-10-SWE

Manufacturing Mission: To provide all prefabricated components and installation instructions for a 10' octagonal gazebo (measured from eave to eave) free standing bolt together, tubular steel constructed shelter kit.

Design Criteria: Structure is typically designed for a 30 lb live load and a 95-100 mph wind load capacity. All structural members are ASTM A-500 U.S. grade B steel. Welded connection plates shall be ASTM A-36 hot rolled steel. All welding performed to latest AWS standards by ASTM Certified welders and provided in accordance to same.

Tubular Steel Columns and Beams: Standard column dimensions shall be 4" x 4" x 3/16" tubular steel welded to 5/8" base plate (footing design provided separately). Perimeter and interior support beams are between 4" x 3" to 4" x 4" with a thickness between 1/8" and 3/16" based on location.

Roof: 24 Ga. pre-cut steel panels with Kynar 500 finish in a variety of colors with white underside. Standard roof slope is a 6/12 pitch with a eave height of 8'-0".

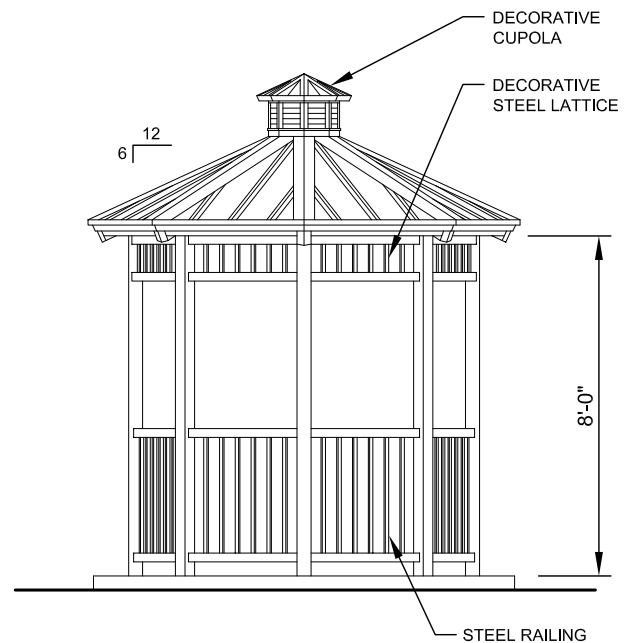
Frame Finish: All steel framework will undergo a three step powder coat application that begins with welded raw steel being sand blasted to a white condition to eliminate contaminants and oils. Then a zinc-rich primer is applied and baked at 400°F, followed by a corrosion protective TGIC Polyester powder coat, electro-statically applied and cured at 400°F. A large selection of standard colors are available.

Hardware: All structural hardware provided and to be A-325 or B7 as required.

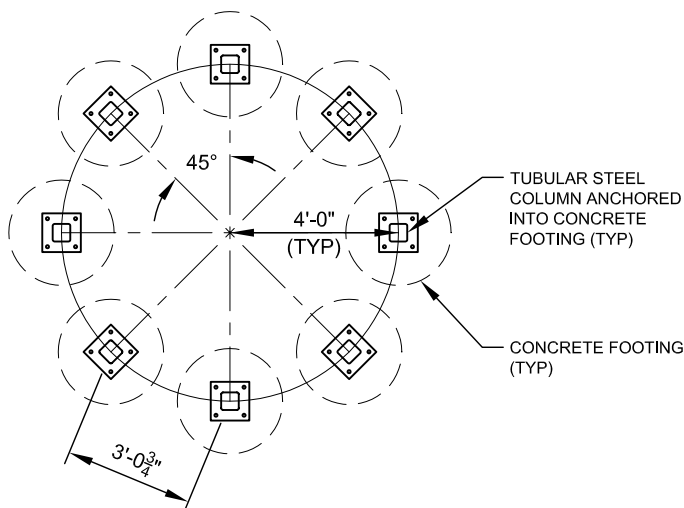
Not Included: Concrete work of any kind, unloading of product and installation.

Additional Options:

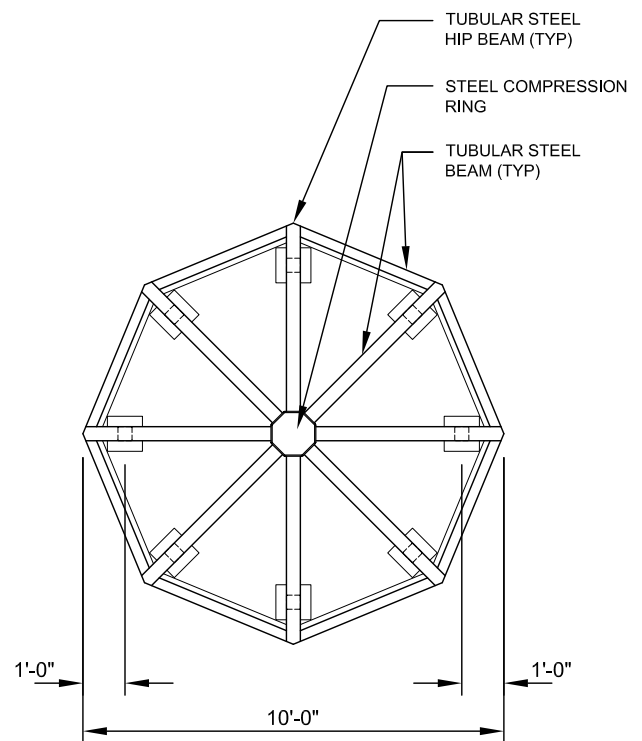
- Flexibility of Design
Such as: Height and Pitch
- Additional Engineering
- Variety of Colors
- Decorative Railings, Lattice, Braces, Trim, etc.
- Column Style Variations
- Lexan Wind Screens
- Tongue & Groove Wood Decking
- Asphalt Shingles, Standing Seam, Cedar Shake, or Clay Tile Roofing.
- Site Furnishings and Accs.
- Solar Panels & Solar Lighting



ELEVATION
SCALE: NTS



FOOTING LAYOUT PLAN
SCALE: NTS



FRAMING PLAN
SCALE: NTS



11800 East 9 Mile Road
 Warren, MI 48089
 Office: (586) 486-1088
 Fax: (586) 754-9130
 Toll Free: (800) 657-6118
 Email: info@coverworx.net
 www.CoverWorx.net

Steelworx Octagonal Gazebo - 10'

Model: OCGZ-10-SWE

DESIGN SPECIFICATIONS