

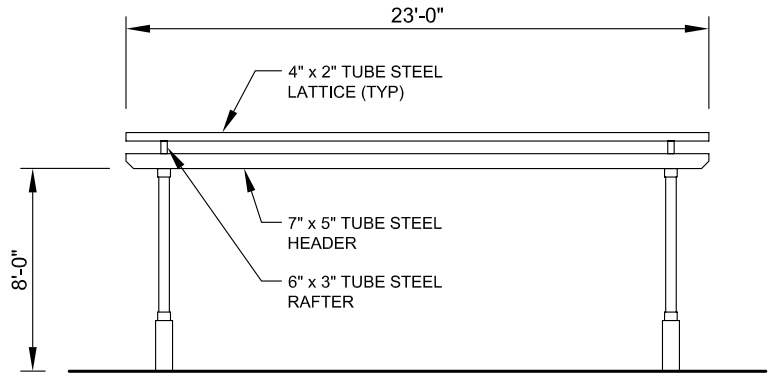
Steelworx Pergola, 23' x 29'

Steel: All structural members are ASTM A-500 U.S. grade B steel. Welded connection plates shall be ASTM A-36 hot rolled steel. Standard column dimensions shall be 5" x 5" x 1/8" tubular steel welded to 5/8" base plate with anchor bolts. Main support headers are 7" x 5" x 3/16", rafters are 6" x 3" x 1/8" and lattice is 4" x 2" x 1/8". All steel framework shall be factory primed and painted on-site by others. All steel connections to be bolted or screwed in place on-site.

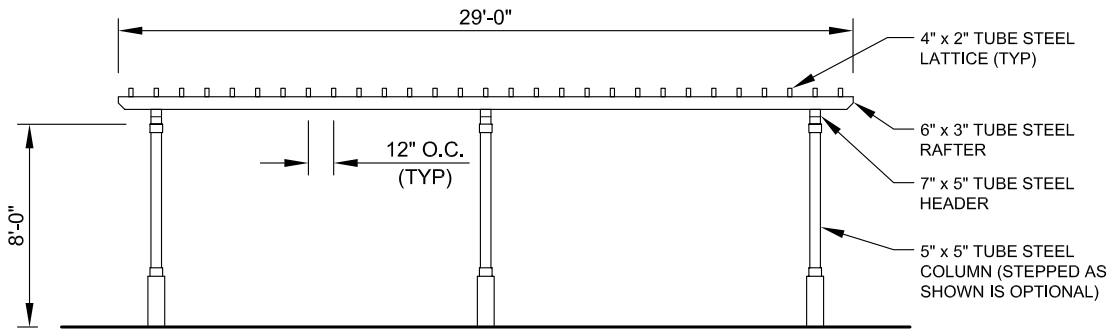
Hardware: All structural hardware shall be provided.

Shop Drawing: The fabricator shall furnish a complete set of installation drawings.

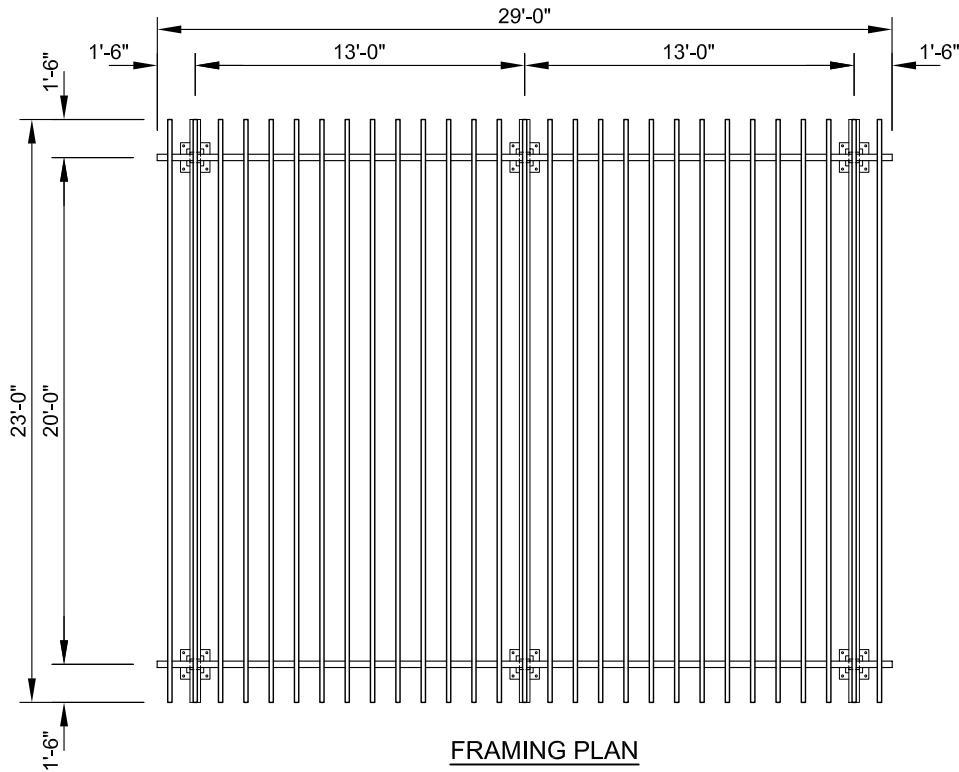
Not Included: Concrete or masonry work of any kind and unloading of product and installation.



SIDE ELEVATION
SCALE: NTS



FRONT ELEVATION
SCALE: NTS



FRAMING PLAN
SCALE: NTS



11800 East 9 Mile Road
Warren, MI 48089
Office: (586) 486-1088
Fax: (586) 754-9130
Toll Free: (800) 657-6118
Email: info@coverworx.net
www.CoverWorx.net

Steelworx Pergola - 23' x 29'

Model: PG-2329-SW-C

DESIGN SPECIFICATIONS