

**STANDARD FEATURES & AVAILABLE OPTIONS:**

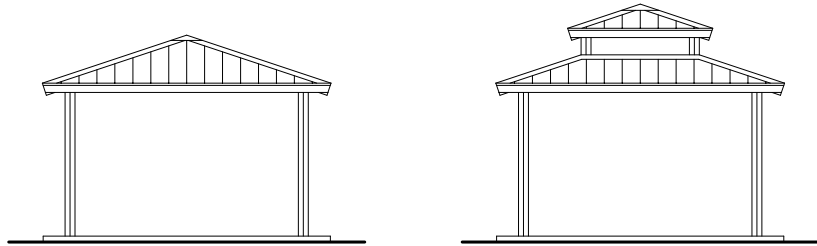
Each shelter kit comes complete with all components which have been factory cut, welded and powder coated along with illustrated installation instructions and hardware to assemble a free standing bolt together structure.

**Steel Frame:** All structural members are ASTM A-500 U.S. grade B tubular steel. Welded connection plates shall be ASTM A-36 hot rolled steel. All welding performed to latest AWS standards by ASTM Certified welders. Contaminates and oils are eliminated with welded raw steel being sand blasted to a white condition. Corrosion protective Polyester Powder coating electro-statically applied and cured to 450 degrees in our state of the art cure oven polyester power coating process.

Also available with: Economy Version (EV) for residential or less stringent design locations with smaller more economical member sizes.

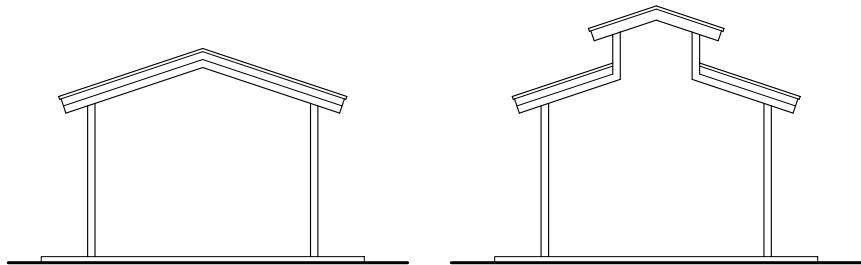
**Hardware:** All structural hardware provided and to be A-325 or B7 as required.

**Roof:** Standard roof slope is a 4/12 pitch with a eave height of 7'-8". Also available with 6/12 or 8/12 pitch as a single or vented top roof (vented top option shown on right). Alternate roofing material includes asphalt shingles, cedar shake, or clay tile. Tongue & groove wood decking is also available. Refer to page 3 for standard metal roof profiles.



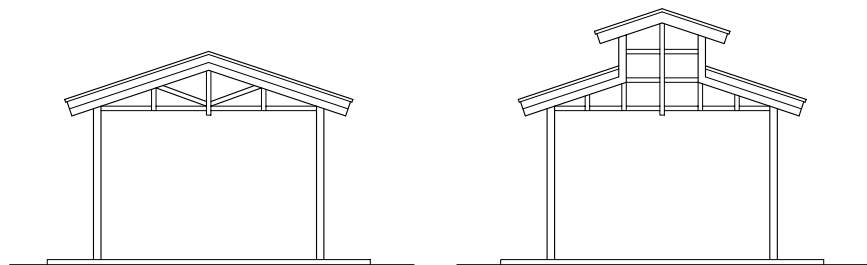
**SQUARE**

**Standard Sizes:**  
12', 16', 20', 24', 28', 32', 36'



**GABLE**

**Standard Widths:**  
12', 16', 20', 24', 30', 40'  
**Standard Lengths:**  
20', 30', 40', 50', 60', 70', 80', 90', 100'



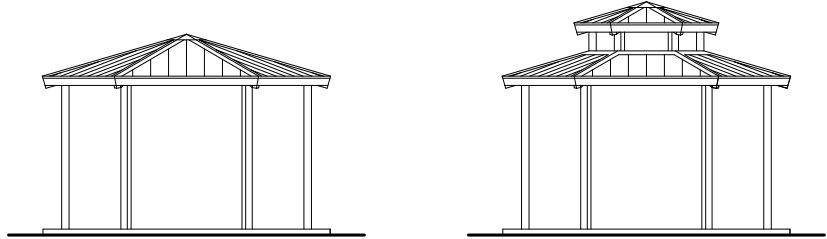
**ARCHITECTURAL GABLE**

**Standard Widths:**  
12', 16', 20', 24', 30', 40'  
**Standard Lengths:**  
20', 30', 40', 50', 60', 70', 80', 90', 100'

**Additional Shelter Options:**

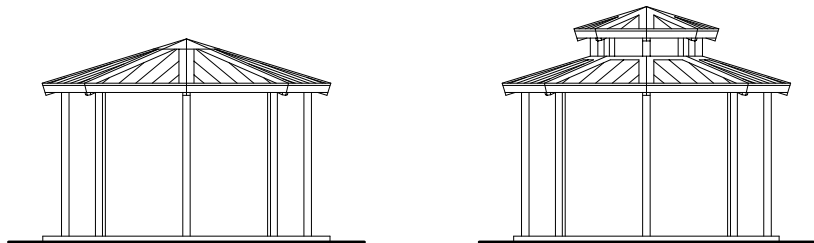
- Flexibility of Design  
Such as: Height and Pitch
- Additional Engineering
- Variety of Colors
- Decorative Railings,  
Lattice, Braces, Trim, etc.
- Cupolas and Rooftop Accs.
- Column Style Variations
- Lexan Wind Screens
- Tongue & Groove Roof  
Decking
- Asphalt Shingles, Standing  
Seam, Cedar Shake, or  
Clay Tile Roofing.
- Composite Finished Ceiling
- Site Furnishings and Accs.
- Solar Panels & Solar  
Lighting

**Not Included:** Concrete work of any kind, unloading of product and installation.



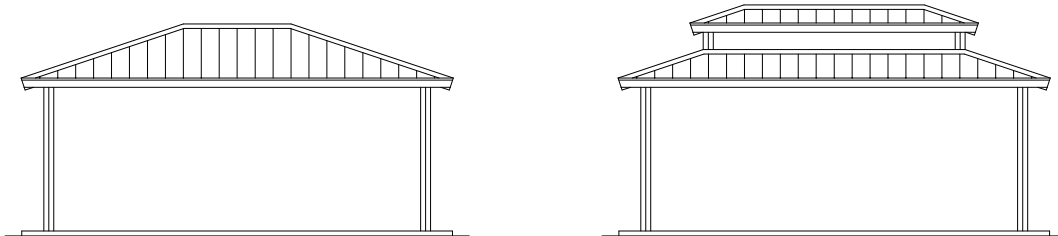
**HEXAGONAL**

**Standard Sizes:**  
12', 16', 20', 24', 28', 32', 36',  
40', 44', 48', 52', 56', 60'



**OCTAGONAL**

**Standard Sizes:**  
12', 16', 20', 24', 28', 32', 36',  
40', 44', 48', 52', 56', 60'



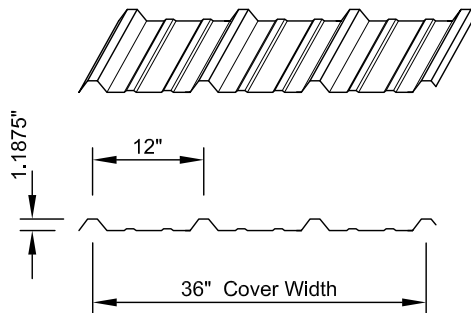
**HIP**

**Standard Widths:**  
12', 16', 20', 24', 30', 40'  
**Standard Lengths:**  
20', 30', 40', 50', 60', 70', 80', 90', 100'

**Multi-Rib** EXPOSED FASTENER PANEL

**Standard:**

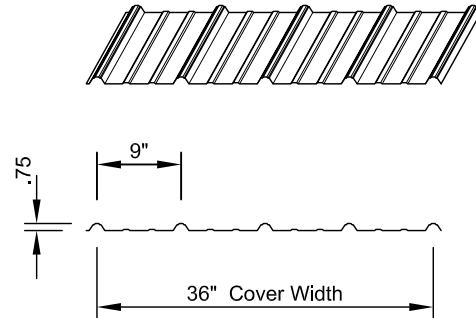
- Panel Width: 36"
- Substrate: Galvalume
- Gauge: 24 Gauge steel on open framing, or 26 gauge on solid substrate.
- Exterior Finish: Kynar 500 coating in 16 varieties of color.



**Max-Rib** EXPOSED FASTENER PANEL

**Standard:**

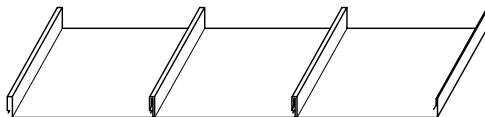
- Panel Width: 36"
- Substrate: Galvalume
- Gauge: 26 Gauge steel on open framing, or 29 gauge on solid substrate.
- Exterior Finish: Kynar 500 coating in 16 varieties of color.



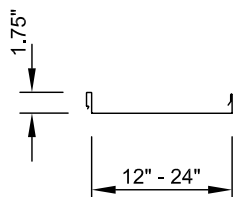
**MB-2000** STANDING SEAM SYSTEM

**Standard:**

- Panel Width: 12" - 24"
- Substrate: Galvalume
- Gauge: 24 Gauge steel on open framing, or 26 Gauge solid substrate.
- Exterior Finish: Kynar 500 coating in 16 varieties of color.



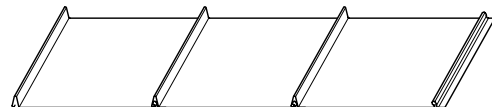
Three interlocked panels shown



**MB-3000** STANDING SEAM SYSTEM

**Standard:**

- Panel Width: 12"
- Substrate: Galvalume
- Gauge: 26 Gauge steel on solid substrate only.
- Exterior Finish: Kynar 500 coating in 16 varieties of color.



Three interlocked panels shown

