

**Model: Steelworx Custom Two Post Gable Shelter, 12' x 12'**  
**Model # GA-1212-SW-2P-812-TG-SS**

**Manufacturing Mission:** To provide all prefabricated components and installation instructions for a 12' wide (measured from eave to eave) by 12' long free standing bolt together, tubular steel constructed shelter kit.

**Design Criteria:** Structure is typically designed for a 25 lb live load and a 90 mph wind load capacity, but can be designed based on specific site requirements upon request . All structural members are ASTM A-500 U.S. grade B steel. Welded connection plates shall be ASTM A-36 hot rolled steel. All welding performed to latest AWS standards by ASTM Certified welders and provided in accordance to same.

**Tubular Steel Framing:** Column dimensions shall be 6" x 6" x 3/16" tubular steel welded to base plates. Main support rafter beams shall be 7" x 5" x 3/16" and purlins are 5" x 3" x 1/8". All bolted connections will be done through access openings from above and will later be concealed by the roofing. All roof framing shall be flush against the roof decking to eliminate the possibility of bird nesting. Steel sizes are preliminary and may change upon final engineering based on actual site conditions and load requirements.

**Roof Deck:** 2" x 6" (nominal) #1 Grade, end matched, single tongue and groove with V-joint bottom face, kiln-dried to an average of 15% moisture content, Southern Yellow Pine. 30# roofing felt and metal drip trim included.

**Roofing:** 24 Ga. pre-cut standing seam steel panels with Kynar 500 finish in a variety of colors with white underside. Roof slope shall be a 8/12 pitch with a clear eave height of 7'-6". Attached to steel frame with concealed clips and self tapping screws. Matching 24 Ga. trim shall also be included.

**Double Face Bike Rack (Optional):** Shall be a pre-fabricated unit to be bolted into place between columns. Top rail and bottom wheel stops shall be of 1 5/8" O.D high tensile galvanized pipe with vertical rack rails of galvanized 1/2" diameter solid steel.

**Frame Finish:** All steel framework will receive a corrosion protective TGIC Polyester powder coat, electro-statically applied and cured at 400°F. A large selection of standard colors are available.

**Foundation:** All columns need to be anchored to concrete footings (footing design provided separately). Columns shall be surface mounted with anchor bolts at or below finish slab elevation. Optional base plate covers are available at an additional cost.

**Hardware:** All structural hardware provided and to be A-325.

**Shop Drawing:** The fabricator shall furnish a complete set of installation drawings.

**Warranty:** 10 years against manufacturer defects.

**Not Included:** Concrete or masonry work of any kind, roofing, unloading of product and installation.

**Additional Options:**

- Flexibility of Design  
Such as: Height and Pitch
- Additional Engineering
- Variety of Colors
- Decorative Railings, Lattice, Braces, Trim, etc.
- Cupolas and Rooftop Accs.
- Column Style Variations
- Provisions for Electrical
- Lexan Wind Screens
- Tongue & Groove Roof Decking
- Asphalt Shingles, Standing Seam, Cedar Shake, or Clay Tile Roofing
- Composite Finished Ceiling
- Solar Panels & Solar Lighting
- Site Furnishings and Accs.

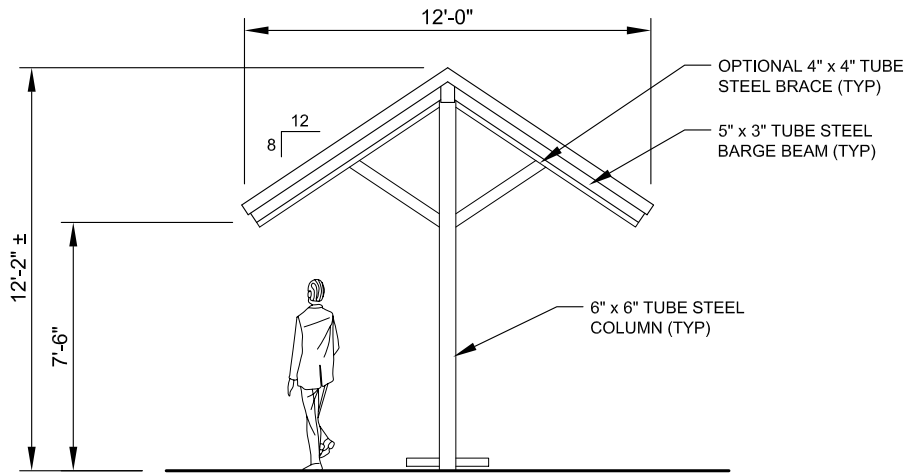


11800 East 9 Mile Road  
Warren, MI 48089  
Office: (586) 486-1088  
Fax: (586) 754-9130  
Toll Free: (800) 657-6118  
Email: info@coverworx.net  
www.CoverWorx.net

Steelworx Custom Two Post Gable Shelter - 12' x 12'

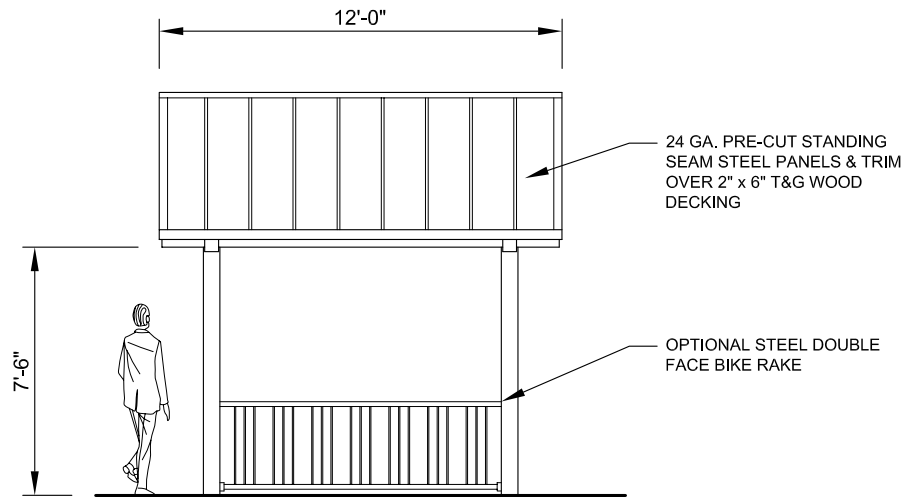
Model: GA-1212-SW-2P-812-TG-SS

DESIGN SPECIFICATIONS



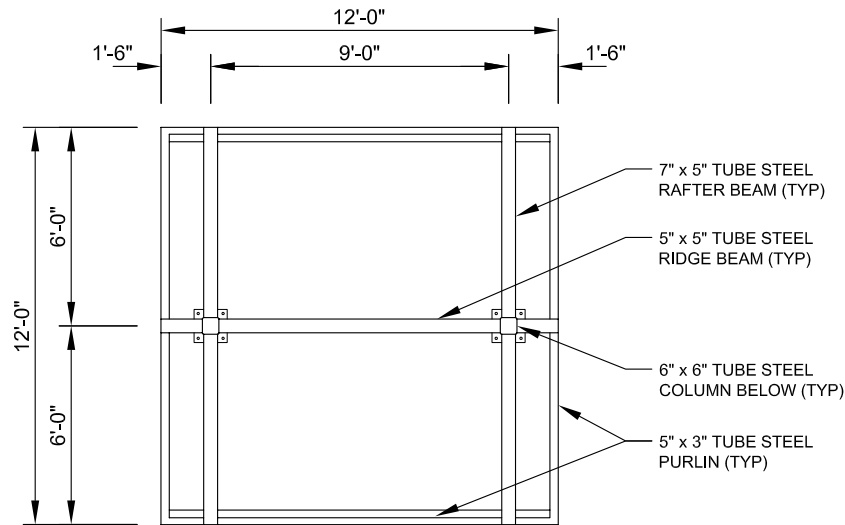
**FRONT ELEVATION**

SCALE: NTS



**SIDE ELEVATION**

SCALE: NTS



**FRAMING PLAN**

SCALE: NTS



11800 East 9 Mile Road  
 Warren, MI 48089  
 Office: (586) 486-1088  
 Fax: (586) 754-9130  
 Toll Free: (800) 657-6118  
 Email: info@coverworx.net  
 www.CoverWorx.net

**Steelworx Custom Two Post Gable Shelter - 12' x 12'**

**Model: GA-1212-SW-2P-812-TG-SS**

**DESIGN SPECIFICATIONS**